

Pull handles, plastic, mounted from front or rear

Item description/product images



Description

Material:

Thermoplastic PA (polyamide), glass-bead reinforced.
Screw and nut steel or stainless steel.

Version:

Black gray

Note:

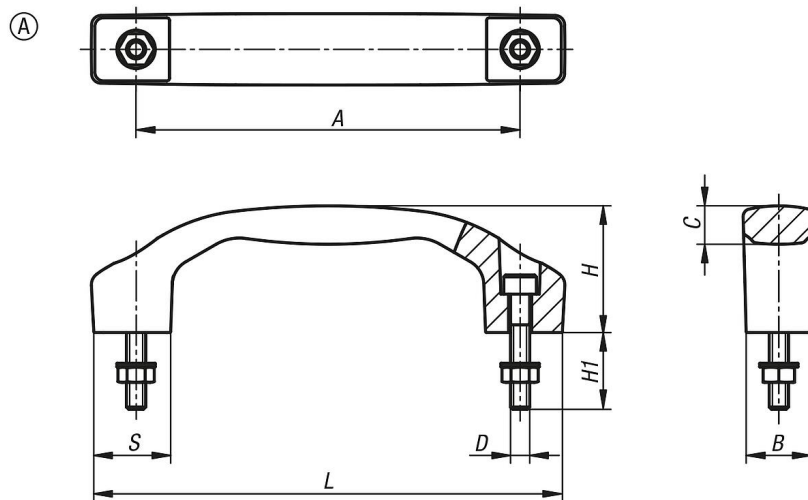
This pull handle is characterized by its large size and pleasant haptics.
Style A is supplied with fastening screws, washers and nuts.

Screw-on dimension "A" applies after grip assembly. In the unassembled state it may deviate through flexural stress by deforming.

Assembly:

Style A from the front.

Drawings



Order No.	style	Component material	A	B	C	D	H	H1	L	S	Load capacity N
K1060.1100051	A	steel	100	17	9,5	M5	33	20	122	20	1000
K1060.1120061	A	steel	120	21	11,4	M6	39	25	146	24	1000
K1060.1140081	A	steel	140	24	14,2	M8	45	30	170	28	1000
K1060.1100052	A	stainless steel	100	17	9,5	M5	33	20	122	20	1000
K1060.1120062	A	stainless steel	120	21	11,4	M6	39	25	146	24	1000
K1060.1140082	A	stainless steel	140	24	14,2	M8	45	30	170	28	1000