

Pull handles, plastic, mounted from the rear

Item description/product images



Description

Material:

Thermoplastic PA (polyamide), glass-bead reinforced. bushing, steel or stainless steel.

Version:

Black gray

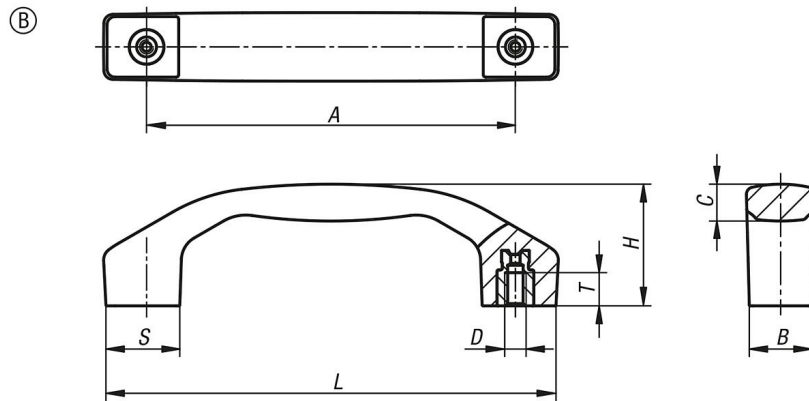
Note:

This pull handle is characterized by its large size and pleasant haptics.

Assembly:

Style B from the rear.

Drawings



Order No.	style	Component material	A	B	C	D	H	L	S	T	Load capacity N
K1060.2100051	B	steel	100	17	9,5	M5	33	122	20	9	1000
K1060.2120061	B	steel	120	21	11,4	M6	39	146	24	12	1000
K1060.2140081	B	steel	140	24	14,2	M8	45	170	28	12	1000
K1060.2100052	B	stainless steel	100	17	9,5	M5	33	122	20	9	1000
K1060.2120062	B	stainless steel	120	21	11,4	M6	39	146	24	12	1000
K1060.2140082	B	stainless steel	140	24	14,2	M8	45	170	28	12	1000