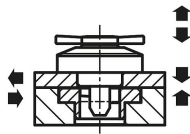
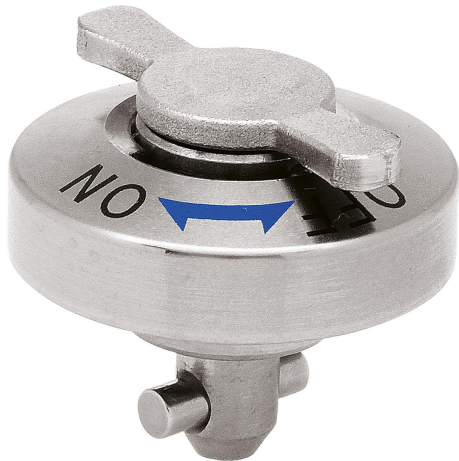


Quarter-turn clamp locks flat

Item description/product images



Description

Material:

Housing stainless steel.
 Bolt steel
 Pin stainless steel
 Twist knob stainless steel.

Version:

Housing bright.
 Bolt nickel plated.
 Pin bright.
 Twist knob stainless steel, bright.

Note:

M2 or M3 mounting screws are supplied.
 Mounting option 1 for plate thickness 6 or 12 mm.
 Mounting option 2 for plate thickness 12 to 20 mm.

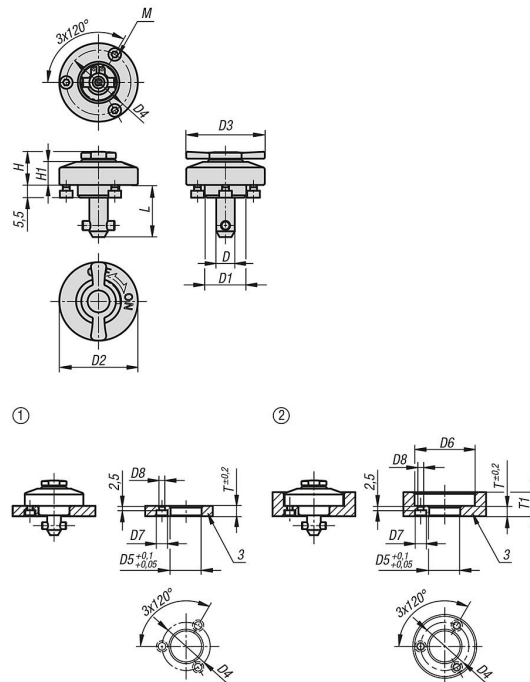
Accessory:

Clamping plates K1062

Drawing reference:

- 1) Mounting option 1
- 2) Mounting option 2
- 3) Plate

Drawings



Quarter-turn clamp locks, flat

| Order No. | D | D1 | D2 | D3 | D4 | H | H1 | L | M | D5 | D6 | D7 | D8 | T | T1 | Clamping force N | Shearing force kN | Pullout force F kN | Temperature resistance |
|-------------------|---|----|----|----|----|------|-----|------|------|----|----|-----|-----|----|-------|------------------|-------------------|--------------------|------------------------|
| K1061.5162 | 5 | 14 | 25 | 20 | 21 | 11,5 | 6,5 | 15,5 | M2x3 | 14 | 26 | 4,4 | 2,4 | 6 | 6-10 | 60 | 1,8 | 1,2 | ≤200 °C |
| K1061.8172 | 8 | 18 | 34 | 32 | 28 | 15,4 | 10 | 17 | M3x4 | 18 | 35 | 6,5 | 3,4 | 6 | 6-14 | 90 | 3,2 | 2,6 | ≤200 °C |
| K1061.8232 | 8 | 18 | 34 | 32 | 28 | 15,4 | 10 | 23 | M3x4 | 18 | 35 | 6,5 | 3,4 | 12 | 12-20 | 90 | 3,2 | 2,6 | ≤200 °C |