

Quarter-turn clamp locks stainless steel, rotary knob stainless steel

Item description/product images



Description

Material:

Housing stainless steel.
Pin steel or stainless steel.
Pin stainless steel.
Twist knob stainless steel.

Version:

Housing bright.
Pin nickel plated or bright.
Pin bright.
Knob stainless steel, bright.

Note:

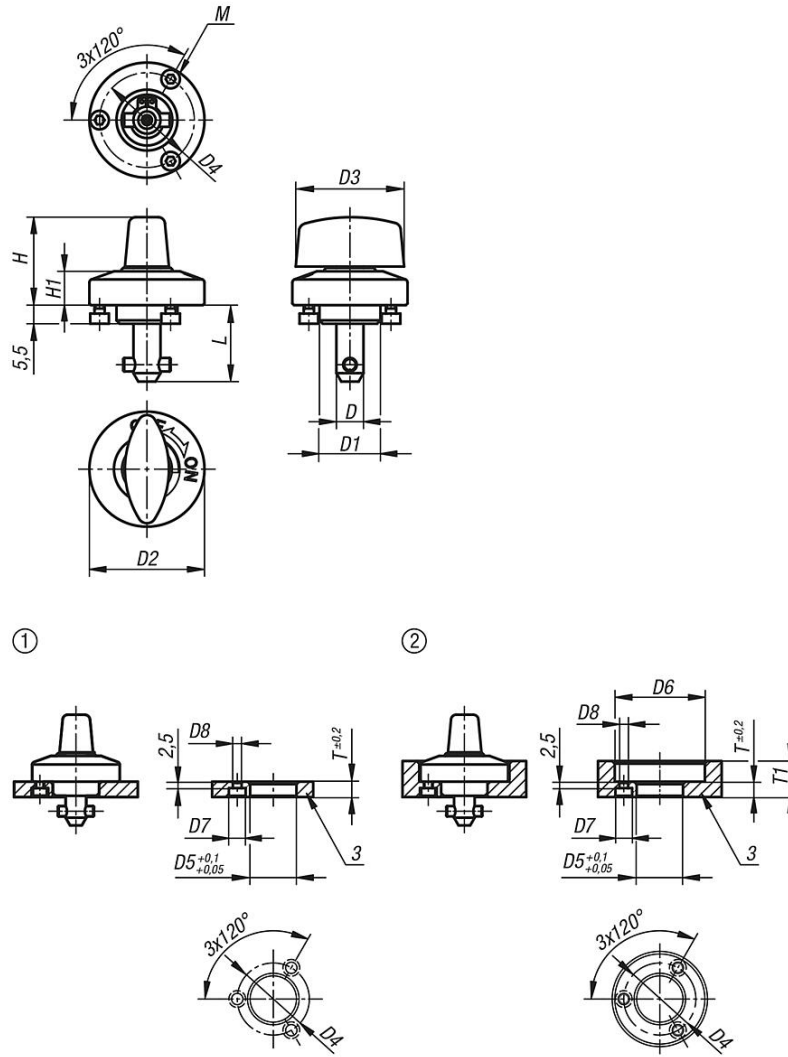
M2 or M3 mounting screws are supplied.
Mounting option 1 for plate thickness 6 or 12 mm.
Mounting option 2 for plate thickness 12 to 20 mm.

Accessory:

Clamping plates K1062

Quarter-turn clamp locks stainless steel, rotary knob stainless steel

Drawings



Order No.	Component material	Version 2	D	L	D1	D2	D3	D4	H	H1	M	D5	D6	D7	D8	T	T1	Clamping force N	Shearing force kN	Pullout force F kN	Temperature resistance
K1061.5161	stainless steel	pins steel	5	15,5	14	25	20	21	19	6,5	M2x3	14	26	4,4	2,4	6	6-10	60	1,8	1,2	≤200 °C
K1061.8171	stainless steel	pins steel	8	17	18	34	32	28	25,5	10	M3x4	18	35	6,5	3,4	6	6-14	90	3,2	2,6	≤200 °C
K1061.8231	stainless steel	pins steel	8	23	18	34	32	28	25,5	10	M3x4	18	35	6,5	3,4	12	12-20	90	3,2	2,6	≤200 °C
K1061.15161	stainless steel	pin stainless steel	5	15,5	14	25	20	21	19	6,5	M2x3	14	26	4,4	2,4	6	6-10	60	1,8	1,2	≤200 °C
K1061.18171	stainless steel	pin stainless steel	8	17	18	34	32	28	25,5	10	M3x4	18	35	6,5	3,4	6	6-14	90	3,2	2,6	≤200 °C
K1061.18231	stainless steel	pin stainless steel	8	23	18	34	32	28	25,5	10	M3x4	18	35	6,5	3,4	12	12-20	90	3,2	2,6	≤200 °C