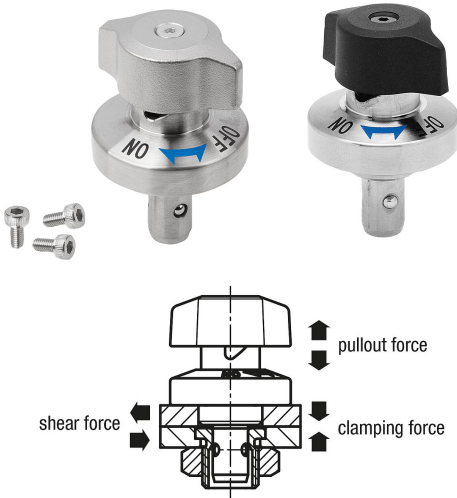


Ball lock pins with plastic or stainless steel twist knob

Item description/product images



Description

Material:

Housing stainless steel.
 Pin steel or stainless steel.
 Knob PA thermoplastic (polyamide) or stainless steel.
 Ball and spring stainless steel.

Version:

Housing bright.
 Steel pin tempered and nickel plated.
 Stainless steel pin tempered.
 Twist knob fiberglass reinforced, black or bright.
 Ball tempered.

Note:

Mounting option 1 for plate thickness 6 or 12 mm.
 Mounting option 2 for plate thickness up to 20 mm.
 Includes M2 or M3 mounting screws.

Attention:

The specified pullout forces only apply in conjunction with locating bushing K1065.

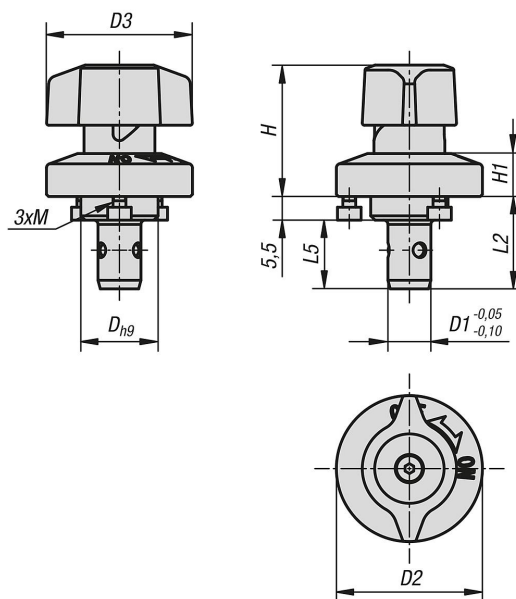
Accessory:

Locating bushing K1065.

Drawing reference:

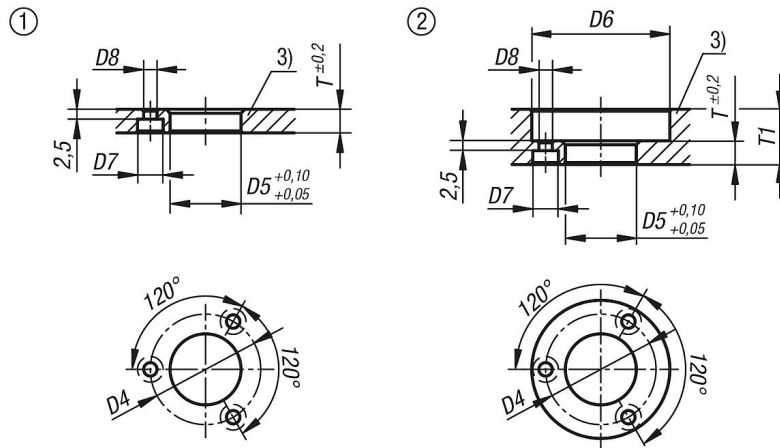
- 1) Mounting option 1
- 2) Mounting option 2
- 3) Plate

Drawings



Ball lock pins with plastic or stainless steel twist knob

Drawings



Ball lock pin with twist knob

Order No.	Component material	Version 2	D	D1	D2	D3	D4	H	H1	L2	L5	M	D5	D6	D7	D8	T	T1	Clamping force N	Shearing force kN	Pullout force F kN	Temperature resistance
K1064.620	polyamide	pins steel	14	6	25	25	21	24,5	6,5	19,5	14	M2x3	14	26	4,4	2,4	6	6-10	30	3	0,5	≤130 °C
K1064.1022	polyamide	pins steel	18	10	34	34	28	31	10	21,5	16	M3x4	18	35	6,5	3,4	6	6-14	50	9	1,5	≤130 °C
K1064.1028	polyamide	pins steel	18	10	34	34	28	31	10	27,5	22	M3x4	18	35	6,5	3,4	12	12-20	50	9	1,5	≤130 °C
K1064.1620	stainless steel	pin stainless steel	14	6	25	25	21	24,5	6,5	19,5	14	M2x3	14	26	4,4	2,4	6	6-10	30	3	0,5	≤130 °C
K1064.11022	stainless steel	pin stainless steel	18	10	34	34	28	31	10	21,5	16	M3x4	18	35	6,5	3,4	6	6-14	50	9	1,5	≤130 °C
K1064.11028	stainless steel	pin stainless steel	18	10	34	34	28	31	10	27,5	22	M3x4	18	35	6,5	3,4	12	12-20	50	9	1,5	≤130 °C