

Ball lock bushings

Item description/product images



Description

Material:

Housing steel.

Balls and springs stainless steel.

Version:

Housing nickel-plated.

Balls tempered.

Note:

The 3 balls inside the bushing hold the locking pin with the specified retaining force.

Installation dimensions for style A: min. plate thickness 6 mm.

Installation dimensions for style B: max. plate thickness 10 mm.

Installation dimensions for style C: plate thickness > 10 mm.

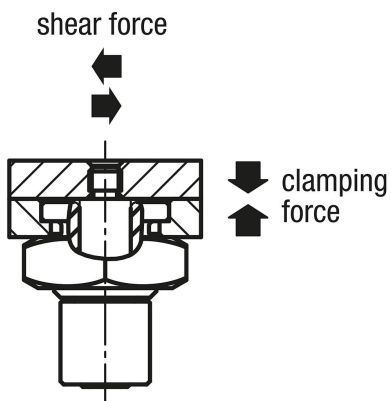
Installation dimensions for style D: blind hole.

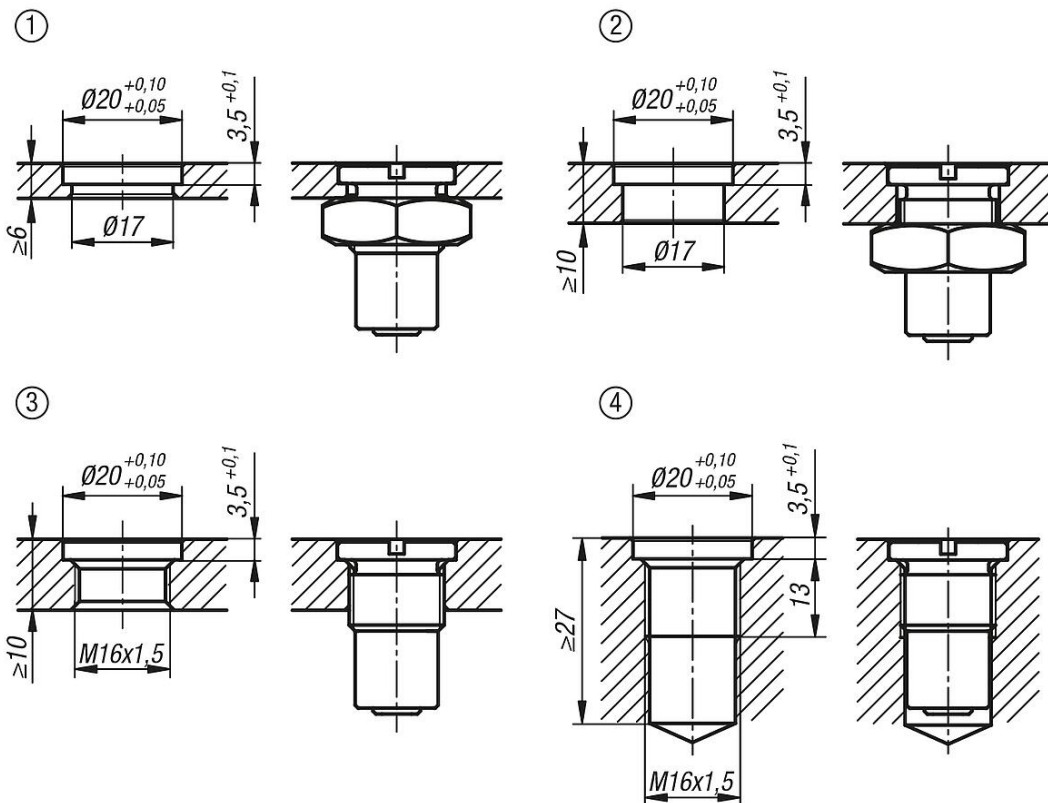
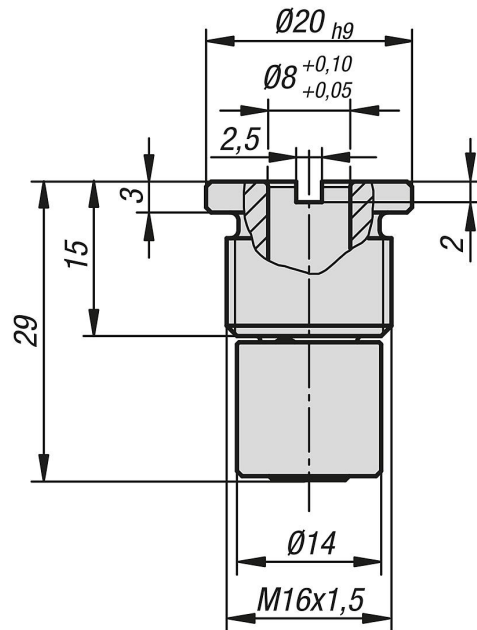
On request:

Suitable nuts.

Accessory:

Locking pin K1067.





Order No.	Clamping force N	Shearing force kN	Temperature resistance
K1066.7	7	1,8	≤ 180 °C
K1066.15	15	1,8	≤ 180 °C

