

Locking pin for ball lock bushings

Item description/product images



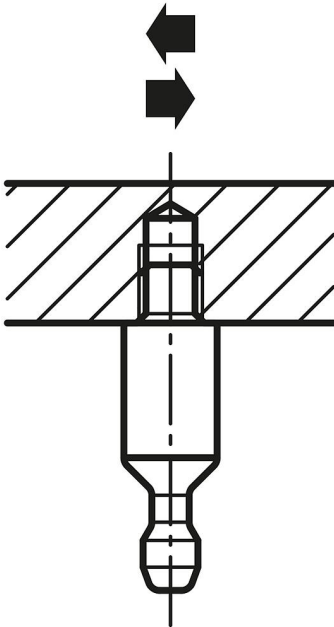
Description

Material:
Steel.

Version:
Bright.

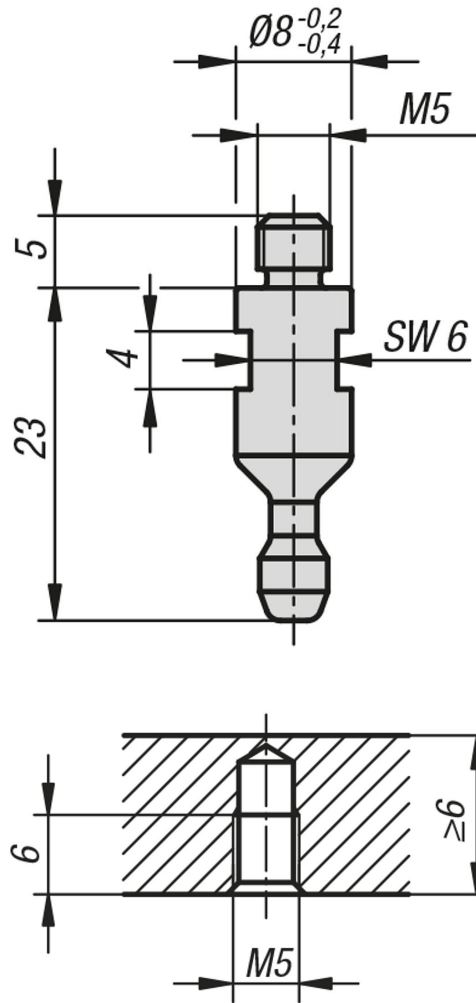
Note:
Repeat accuracy ± 0.25 .
The repeat accuracy can be increased with the aid of locating pins.

shear force



Locking pin for ball lock bushings

Drawings



Locking pin for ball lock bushings

Item No.	Shearing force kN	Temperature resistance
K1067.8	1,8	≤180 °C