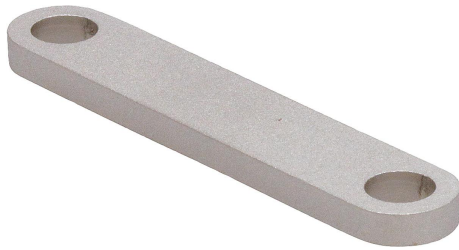


# Shim plates for sliding clamps for slotted hole

## Item description/product images

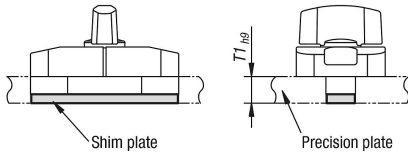


### Description

**Material:**  
Stainless steel

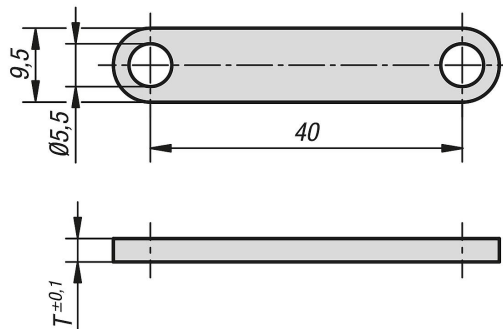
**Version:**  
Bright.

**Note:**  
Shim plates are required for sliding clamps for slotted holes with a plate thickness more than 3 mm or 6 mm.



Sliding clamp for slotted holes	Suitable shim plate	Precision plate T1 (mm)
	-	3 <sub>-0,25</sub>
	-	5 <sub>-0,3</sub>
	-	6 <sub>-0,3</sub>
	-	8 <sub>-0,36</sub>
	-	9 <sub>-0,36</sub>

## Drawings



Order No.	T
K1071.2	2
K1071.3	3