

Base plates for sliding clamp for square bars

Item description/product images



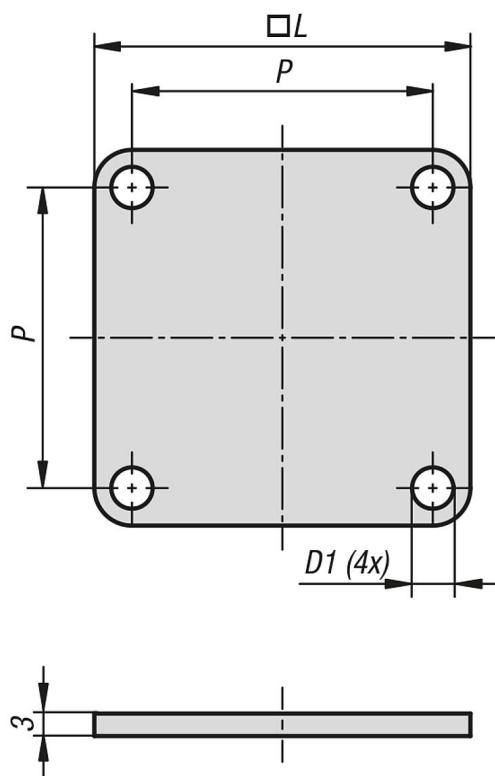
Description

Material:
Stainless steel

Version:
Bright.

Note:
Base plates raise the sliding clamp by 3 mm.
It is used to mount the sliding clamp to a fixated square bar.

Drawings



Order No.	L	D1	P
K1073.40	40	4,5	32
K1073.50	50	5,5	40