

Pull handles, plastic, narrow, mounted from the rear

Item description/product images

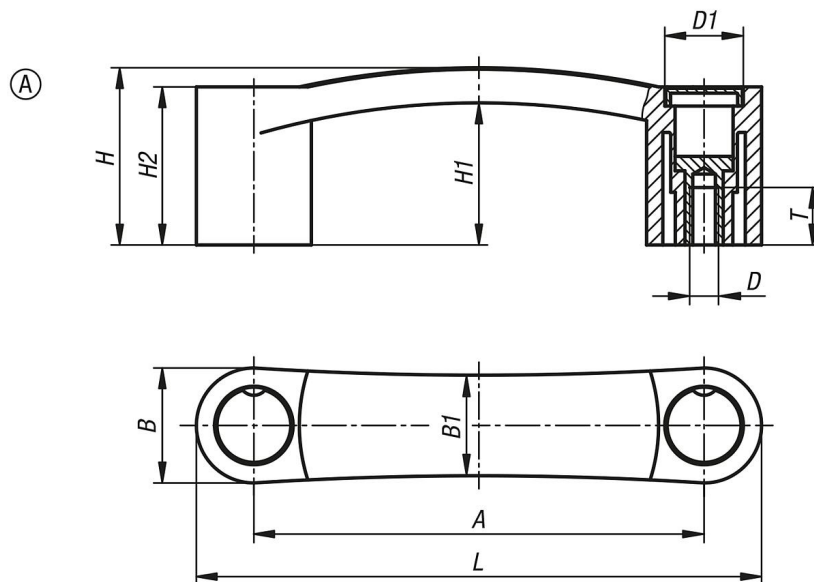


Description

Material:
 fiberglass reinforced thermoplastic.
 Tapped bushing brass.

Version:
 Black.
 Cap gray.

Drawings



Item No.	Version 1	Style	A	B	B1	D	D1	H	H1	H2	L	T	Load capacity N
K1092.109406	internal thread	A	94	24	21	M6	16	37	30	33	118	12	2000
K1092.111706	internal thread	A	117	28	24	M6	18	40,5	31,5	34	145	12	3400
K1092.111708	internal thread	A	117	28	24	M8	18	40,5	31,5	34	145	12	3400
K1092.112006	internal thread	A	120	28	24	M6	18	40,5	31,5	34	148	12	3500
K1092.112008	internal thread	A	120	28	24	M8	18	40,5	31,5	34	148	12	3500
K1092.113208	internal thread	A	132	28	24	M8	18	43	34	36,5	160	12	3500