

## Indexing plungers, steel or stainless steel with plastic mushroom grip and thread lock

Item description/product images



### Description

#### Material:

Steel version:

Indexing pin hardened:

Threaded sleeve and indexing pin free-cutting steel

Stainless steel version:

Indexing pin hardened:

Threaded sleeve 1.4305

Indexing pin 1.4034.

Mushroom knob black gray thermoplastic.

Thread lock blue polyamide.

#### Version:

Steel version:

indexing pin hardened, ground and black oxidized.

Stainless steel version:

indexing pin hardened, ground and bright.

#### Note:

Indexing plungers are used to prevent any change in locking position due to lateral forces. A new locking position can only be set after the pin has been manually disengaged. style CP is recommended for applications where the plunger remains disengaged over a long period and the pin should be prevented from springing back. The thread lock enables the plunger to be screwed in to the exact depth required, no spacer ring is required.

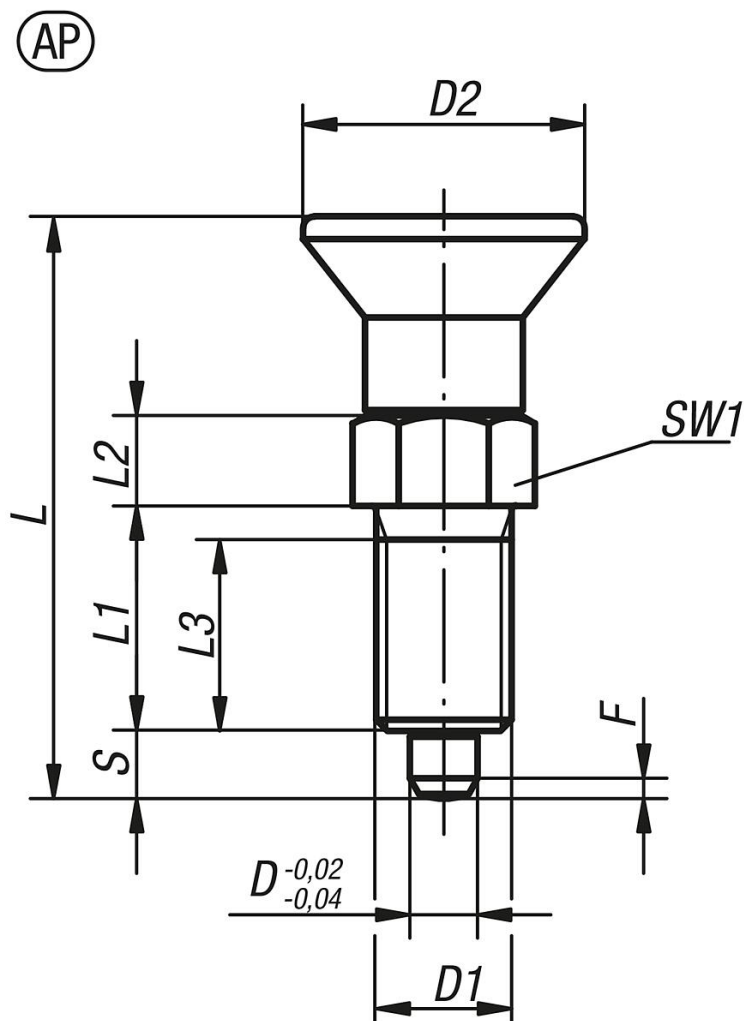
The thread lock is a gripping polyamide coating that is applied punctiform (spot).

#### On request:

Special versions.

# Indexing plungers, steel or stainless steel with plastic mushroom grip and thread lock

Drawings



| Order No.    | Main material   | style | D  | D1      | D2 | L    | L1 | L2 | L3 | Travel S | SW1 | Fx30° | Spring force initial pressure F1 approx. N | Spring force final pressure F2 approx. N |
|--------------|-----------------|-------|----|---------|----|------|----|----|----|----------|-----|-------|--|--|
| K1096.91903  | steel           | AP    | 3  | M6x0,75 | 14 | 31,5 | 12 | 5  | 10 | 3,5      | 8   | 0,8   | 4,5  | 10                                       |
| K1096.91004  | steel           | AP    | 4  | M8x1    | 18 | 38,5 | 15 | 6  | 13 | 4        | 10  | 1     | 6  | 12                                       |
| K1096.91105  | steel           | AP    | 5  | M10x1   | 21 | 43,5 | 17 | 7  | 15 | 5        | 13  | 1,3   | 5  | 12                                       |
| K1096.91206  | steel           | AP    | 6  | M12x1,5 | 25 | 51,7 | 20 | 8  | 17 | 6        | 14  | 1,8   | 6  | 14                                       |
| K1096.91308  | steel           | AP    | 8  | M16x1,5 | 33 | 68   | 26 | 10 | 23 | 8        | 19  | 2,3   | 15   | 35                                       |
| K1096.91410  | steel           | AP    | 10 | M20x1,5 | 33 | 74   | 28 | 12 | 25 | 10       | 22  | 2,8   | 15   | 34                                       |
| K1096.91412  | steel           | AP    | 12 | M20x1,5 | 33 | 78   | 28 | 14 | 25 | 12       | 22  | 2,8   | 15   | 39                                       |
| K1096.91516  | steel           | AP    | 16 | M24x2   | 40 | 96   | 32 | 18 | 28 | 16       | 27  | 3,2   | 20   | 46                                       |
| K1096.091903 | stainless steel | AP    | 3  | M6x0,75 | 14 | 31,5 | 12 | 5  | 10 | 3,5      | 8   | 0,8   | 4,5  | 10                                       |
| K1096.091004 | stainless steel | AP    | 4  | M8x1    | 18 | 38,5 | 15 | 6  | 13 | 4        | 10  | 1     | 6  | 12                                       |
| K1096.091105 | stainless steel | AP    | 5  | M10x1   | 21 | 43,5 | 17 | 7  | 15 | 5        | 13  | 1,3   | 5  | 12                                       |
| K1096.091206 | stainless steel | AP    | 6  | M12x1,5 | 25 | 51,7 | 20 | 8  | 17 | 6        | 14  | 1,8   | 6  | 14                                       |
| K1096.091308 | stainless steel | AP    | 8  | M16x1,5 | 33 | 68   | 26 | 10 | 23 | 8        | 19  | 2,3   | 15   | 35                                       |
| K1096.091410 | stainless steel | AP    | 10 | M20x1,5 | 33 | 74   | 28 | 12 | 25 | 10       | 22  | 2,8   | 15   | 34                                       |
| K1096.091412 | stainless steel | AP    | 12 | M20x1,5 | 33 | 78   | 28 | 14 | 25 | 12       | 22  | 2,8   | 15   | 39                                       |
| K1096.091516 | stainless steel | AP    | 16 | M24x2   | 40 | 96   | 32 | 18 | 28 | 16       | 27  | 3,2   | 20   | 46                                       |

**Indexing plungers, steel or stainless steel with plastic mushroom grip and thread lock**

---

