

## Indexing plungers, steel or stainless steel with plastic mushroom grip, thread lock and locking slot

Item description/product images



### Description

#### Material:

Steel version:

Indexing pin hardened:

Threaded sleeve and indexing pin free-cutting steel

Stainless steel version:

Indexing pin hardened:

Threaded sleeve 1.4305

Indexing pin 1.4034.

Mushroom knob black gray thermoplastic.

Thread lock blue polyamide.

#### Version:

Steel version:

indexing pin hardened, ground and black oxidized.

Stainless steel version:

indexing pin hardened, ground and bright.

#### Note:

Indexing plungers are used to prevent any change in locking position due to lateral forces. A new locking position can only be set after the pin has been manually disengaged. style CP is recommended for applications where the plunger remains disengaged over a long period and the pin should be prevented from springing back. The thread lock enables the plunger to be screwed in to the exact depth required, no spacer ring is required.

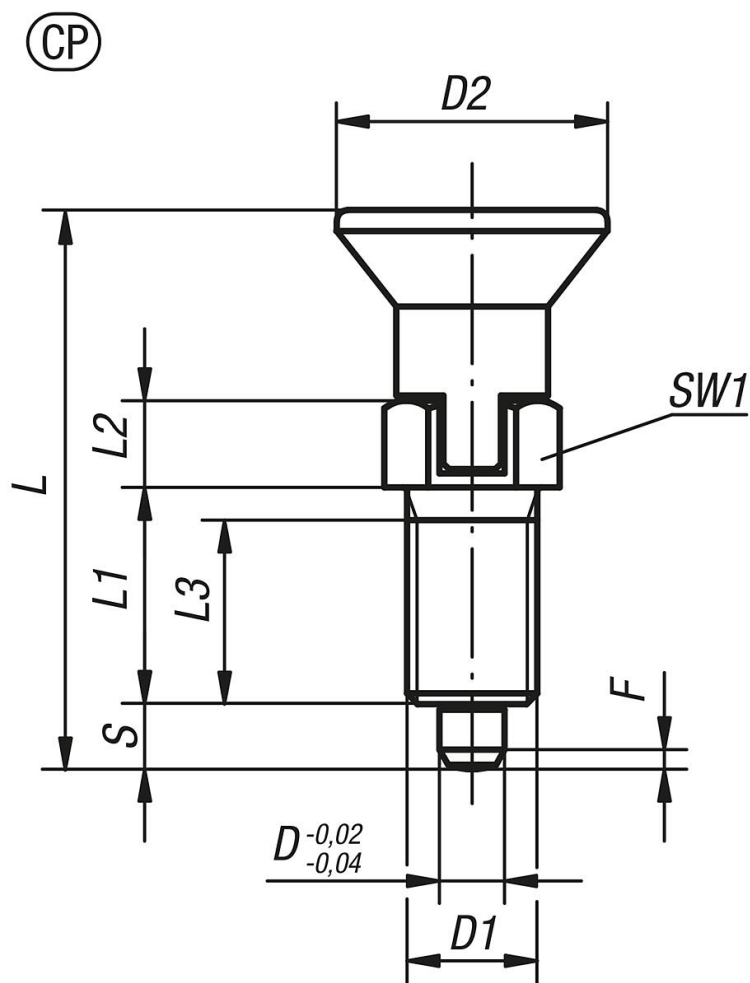
The thread lock is a gripping polyamide coating that is applied punctiform (spot).

#### On request:

Special versions.

Indexing plungers, steel or stainless steel with plastic mushroom grip, thread lock and locking slot

Drawings



Order No.	Main material	style	D	D1	D2	L	L1	L2	L3	Travel S	SW1	Fx30°	Spring force initial pressure F1 approx. N	Spring force final pressure F2 approx. N
K1096.93903	steel	CP	3	M6x0,75	14	31,5	12	5	10	3,5	8	0,8	4,5	10
K1096.93004	steel	CP	4	M8x1	18	38,5	15	6	13	4	10	1	6	12
K1096.93105	steel	CP	5	M10x1	21	43,5	17	7	15	5	13	1,3	5	12
K1096.93206	steel	CP	6	M12x1,5	25	51,7	20	8	17	6	14	1,8	6	14
K1096.93308	steel	CP	8	M16x1,5	33	68	26	10	23	8	19	2,3	15	35
K1096.93410	steel	CP	10	M20x1,5	33	74	28	12	25	10	22	2,8	15	34
K1096.93412	steel	CP	12	M20x1,5	33	78	28	14	25	12	22	2,8	15	39
K1096.93516	steel	CP	16	M24x2	40	96	32	18	28	16	27	3,2	20	46
K1096.093903	stainless steel	CP	3	M6x0,75	14	31,5	12	5	10	3,5	8	0,8	4,5	10
K1096.093004	stainless steel	CP	4	M8x1	18	38,5	15	6	13	4	10	1	6	12
K1096.093105	stainless steel	CP	5	M10x1	21	43,5	17	7	15	5	13	1,3	5	12
K1096.093206	stainless steel	CP	6	M12x1,5	25	51,7	20	8	17	6	14	1,8	6	14
K1096.093308	stainless steel	CP	8	M16x1,5	33	68	26	10	23	8	19	2,3	15	35
K1096.093410	stainless steel	CP	10	M20x1,5	33	74	28	12	25	10	22	2,8	15	34
K1096.093412	stainless steel	CP	12	M20x1,5	33	78	28	14	25	12	22	2,8	15	39
K1096.093516	stainless steel	CP	16	M24x2	40	96	32	18	28	16	27	3,2	20	46

**Indexing plungers, steel or stainless steel with plastic mushroom grip,  
thread lock and locking slot**

---