

Indexing plungers, steel or stainless steel, short version with plastic mushroom grip and thread lock

Item description/product images



Description

Material:

Steel version:

Indexing pin hardened:

Threaded sleeve and indexing pin steel.

Stainless steel version:

Indexing pin not hardened:

Threaded sleeve and indexing pin 1.4305.

Mushroom knob black gray thermoplastic.

Thread lock blue polyamide.

Version:

Steel version:

Indexing pin hardened, ground, black oxidized.

Stainless steel version:

Indexing pin not hardened, ground, bright.

Note:

Indexing plungers are used to prevent any change in locking position due to lateral forces. A new locking position can only be set after the pin has been manually disengaged. style CP is recommended for applications where the plunger remains disengaged over a long period and the pin should be prevented from springing back. The thread lock enables the plunger to be screwed in to the exact depth required, no spacer ring is required.

The thread lock is a gripping polyamide coating that is applied punctiform (spot).

On request:

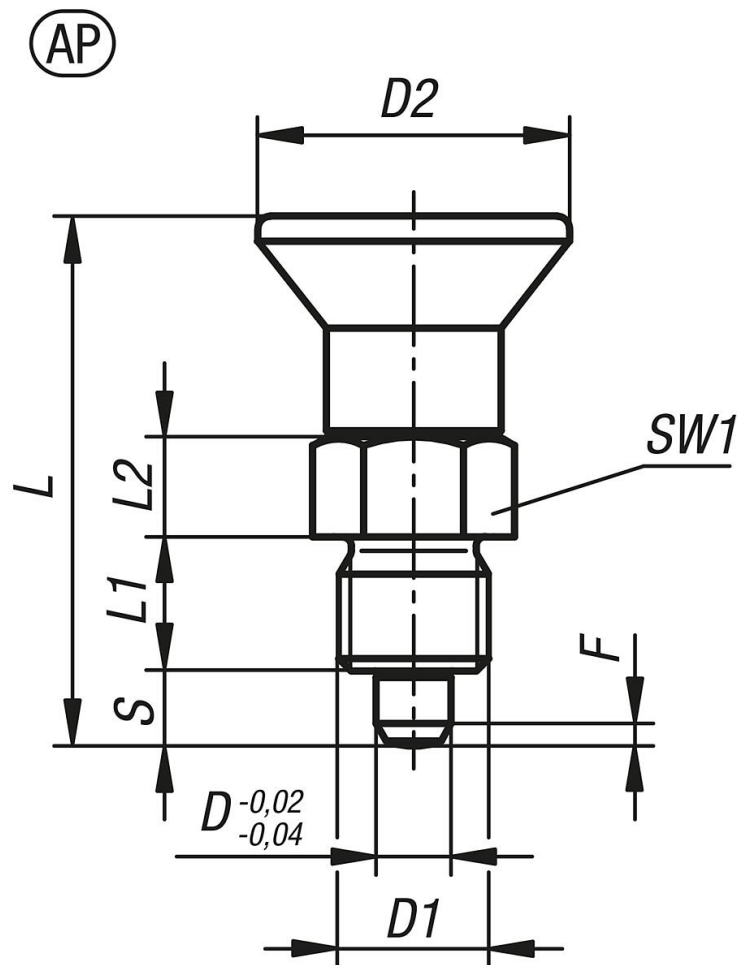
Special versions.

Accessory:

Spacer rings K0665

Indexing plungers, steel or stainless steel, short version with plastic mushroom grip and thread lock

Drawings



Order No.	Main material	style	D	D1	D2	L	L1	L2	Travel S	SW1	Fx30°	Spring force initial pressure F1 approx. N	Spring force final pressure F2 approx. N
K1097.95903	steel	AP	3	M6x0,75	14	25,5	6	5	3,5	8	0,8	4	10
K1097.95004	steel	AP	4	M8x1	18	29,5	6	6	4	10	1	4	12
K1097.95105	steel	AP	5	M10x1	21	34,5	8	7	5	13	1,3	5	12
K1097.95206	steel	AP	6	M12x1,5	25	41,7	10	8	6	14	1,8	6	14
K1097.95308	steel	AP	8	M16x1,5	33	54	12	10	8	19	2,3	14	28
K1097.95410	steel	AP	10	M20x1,5	33	61	15	12	10	22	2,8	15	32
K1097.195903	stainless steel	AP	3	M6x0,75	14	25,5	6	5	3,5	8	0,8	4	10
K1097.195004	stainless steel	AP	4	M8x1	18	29,5	6	6	4	10	1	4	12
K1097.195105	stainless steel	AP	5	M10x1	21	34,5	8	7	5	13	1,3	5	12
K1097.195206	stainless steel	AP	6	M12x1,5	25	41,7	10	8	6	14	1,8	6	14
K1097.195308	stainless steel	AP	8	M16x1,5	33	54	12	10	8	19	2,3	14	28
K1097.195410	stainless steel	AP	10	M20x1,5	33	61	15	12	10	22	2,8	15	32