

# Tongue for quarter-turn lock, steel

## Item description/product images

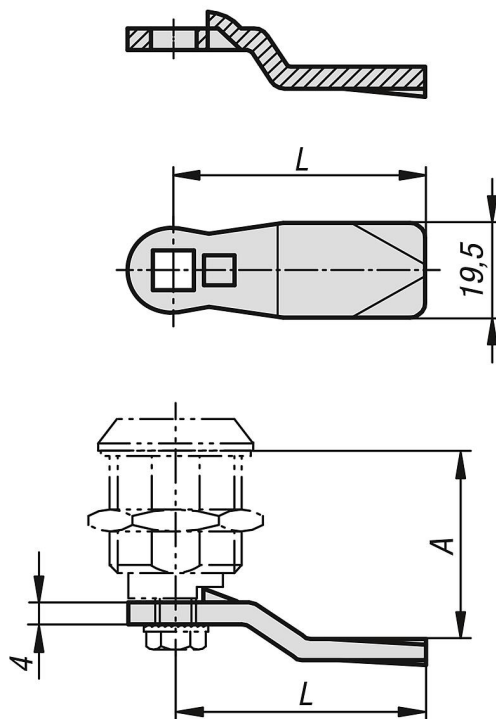


### Description

**Material:**  
Steel.

**Version:**  
Electro zinc-plated.

## Drawings



## Tongue for quarter-turn locks

Order No.	Main material	A for housing length H=18	A for housing length H=30	A for housing length H=40	A for housing length H=50	L
K1114.135X160	steel	16	28	38	48	35
K1114.135X180	steel	18	30	40	50	35
K1114.135X200	steel	20	32	42	52	35
K1114.135X220	steel	22	34	44	54	35
K1114.135X240	steel	24	36	46	56	35
K1114.145X040	steel	4	16	26	36	45
K1114.145X060	steel	6	18	28	38	45
K1114.145X080	steel	8	20	30	40	45
K1114.145X100	steel	10	22	32	42	45

## Tongue for quarter-turn lock, steel

Order No.	Main material	A for housing length H=18	A for housing length H=30	A for housing length H=40	A for housing length H=50	L
K1114.145X120	steel	12	24	34	44	45
K1114.145X140	steel	14	26	36	46	45
K1114.145X160	steel	16	28	38	48	45
K1114.145X180	steel	18	30	40	50	45
K1114.145X200	steel	20	32	42	52	45
K1114.145X220	steel	22	34	44	54	45
K1114.145X240	steel	24	36	46	56	45
K1114.145X260	steel	26	38	48	58	45
K1114.145X280	steel	28	40	50	60	45
K1114.145X300	steel	30	42	52	62	45
K1114.145X320	steel	32	44	54	64	45
K1114.145X340	steel	34	46	56	66	45
K1114.145X360	steel	36	48	58	68	45
K1114.145X380	steel	38	50	60	70	45
K1114.145X400	steel	40	52	62	72	45
K1114.145X420	steel	42	54	64	74	45