

# Machine handles fixed DIN 39 style E, stainless steel

## Item description/product images



### Description

**Material:**

Stainless steel 1.4305 or 1.4401.

**Version:**

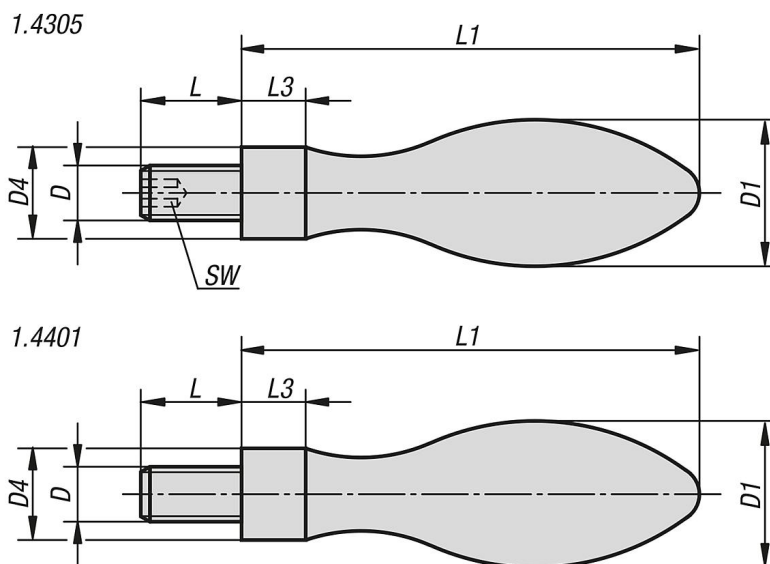
Electropolished.

**Note:**

1.4401 stainless steel, similar to DIN 39.

Grip suitable for DIN 950 handwheels.

## Drawings



## Machine handles, fixed, DIN 39 style E, stainless steel

Order No.	Steel code	Version 2	D	D1	D4	L	L1	L3	SW
K1199.0616050	1.4305	with hexagon socket	M6	16	10	11	50	7	3
K1199.0820064	1.4305	with hexagon socket	M8	20	13	13	64	8	4
K1199.1025080	1.4305	with hexagon socket	M10	25	16	14	80	10	5
K1199.10616050	1.4401	-	M6	16	11	13	51	5,1	-
K1199.10820064	1.4401	-	M8	21	14	14	67	8,75	-
K1199.11025080	1.4401	-	M10	25	16	18	81	9,75	-