

Cam levers, aluminum with internal thread, plastic thrust washer

Item description/product images



Description

Product description:

These cam levers have a technically optimised plastic thrust washer. The thrust washer is made of a special high-performance plastic that guarantees very good wear and creep resistance.

Material:

Handles cast aluminum EN AC-46200.
Thrust washer plastic PA 66 GF 35-X fiberglass reinforced.
Hinge pin stainless steel 1.4305.
Washer steel, quality class 5.8, or stainless steel 1.4305.

Version:

Lever powder-coated black fine structured or traffic red fine structured.
Thrust washer, black.
Hinge pin steel, blue passivated or bright stainless steel.

Note:

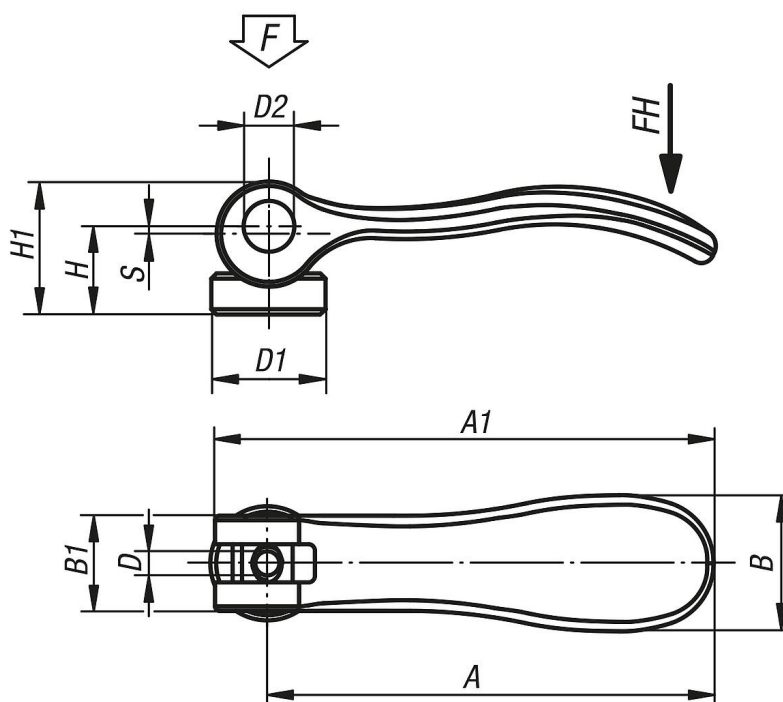
Plastics are subject to creeping under load (retardation).

Accessory:

For slightly curved contact faces, a stainless steel washer K2130 can also be ordered.

This washer can be mounted between the thrust washer and the contact face.

Drawings



Cam levers, aluminum with internal thread, plastic thrust washer

Order No.	Component material	Main color	D	D1	D2	B	B1	H	H1	A	A1	Travel S	Clamping force F (kN)	Hand force FH N
K2120.9501103	steel	jet black RAL 9005	M3	10,7	6	14,4	11,5	9	13,5	36,2	41,7	1	1,5	90
K2120.9501104	steel	jet black RAL 9005	M4	10,7	6	14,4	11,5	9	13,5	36,2	41,7	1	1,5	90
K2120.0501104	steel	jet black RAL 9005	M4	13,8	8	18	13	11,4	17,2	52,3	59,1	1	2,5	100
K2120.0501105	steel	jet black RAL 9005	M5	13,8	8	18	13	11,4	17,2	52,3	59,1	1	2,5	100
K2120.1501105	steel	jet black RAL 9005	M5	16	9	21,5	15	14,7	22,2	70,4	79,2	1,2	4	120
K2120.1501106	steel	jet black RAL 9005	M6	16	9	21,5	15	14,7	22,2	70,4	79,2	1,2	4	120
K2120.2501108	steel	jet black RAL 9005	M8	25	11	33,3	24	18,3	28,8	96	108	1,5	8	350
K2120.9511103	stainless steel	jet black RAL 9005	M3	10,7	6	14,4	11,5	9	13,5	36,2	41,7	1	1,5	90
K2120.9511104	stainless steel	jet black RAL 9005	M4	10,7	6	14,4	11,5	9	13,5	36,2	41,7	1	1,5	90
K2120.0511104	stainless steel	jet black RAL 9005	M4	13,8	8	18	13	11,4	17,2	52,3	59,1	1	2,5	100
K2120.0511105	stainless steel	jet black RAL 9005	M5	13,8	8	18	13	11,4	17,2	52,3	59,1	1	2,5	100
K2120.1511105	stainless steel	jet black RAL 9005	M5	16	9	21,5	15	14,7	22,2	70,4	79,2	1,2	4	120
K2120.1511106	stainless steel	jet black RAL 9005	M6	16	9	21,5	15	14,7	22,2	70,4	79,2	1,2	4	120
K2120.2511108	stainless steel	jet black RAL 9005	M8	25	11	33,3	24	18,3	28,8	96	108	1,5	8	350
K2120.9501403	steel	traffic red RAL 3020	M3	10,7	6	14,4	11,5	9	13,5	36,2	41,7	1	1,5	90
K2120.9501404	steel	traffic red RAL 3020	M4	10,7	6	14,4	11,5	9	13,5	36,2	41,7	1	1,5	90
K2120.0501404	steel	traffic red RAL 3020	M4	13,8	8	18	13	11,4	17,2	52,3	59,1	1	2,5	100
K2120.0501405	steel	traffic red RAL 3020	M5	13,8	8	18	13	11,4	17,2	52,3	59,1	1	2,5	100
K2120.1501405	steel	traffic red RAL 3020	M5	16	9	21,5	15	14,7	22,2	70,4	79,2	1,2	4	120
K2120.1501406	steel	traffic red RAL 3020	M6	16	9	21,5	15	14,7	22,2	70,4	79,2	1,2	4	120
K2120.2501408	steel	traffic red RAL 3020	M8	25	11	33,3	24	18,3	28,8	96	108	1,5	8	350
K2120.9511403	stainless steel	traffic red RAL 3020	M3	10,7	6	14,4	11,5	9	13,5	36,2	41,7	1	1,5	90
K2120.9511404	stainless steel	traffic red RAL 3020	M4	10,7	6	14,4	11,5	9	13,5	36,2	41,7	1	1,5	90
K2120.0511404	stainless steel	traffic red RAL 3020	M4	13,8	8	18	13	11,4	17,2	52,3	59,1	1	2,5	100
K2120.0511405	stainless steel	traffic red RAL 3020	M5	13,8	8	18	13	11,4	17,2	52,3	59,1	1	2,5	100
K2120.1511405	stainless steel	traffic red RAL 3020	M5	16	9	21,5	15	14,7	22,2	70,4	79,2	1,2	4	120
K2120.1511406	stainless steel	traffic red RAL 3020	M6	16	9	21,5	15	14,7	22,2	70,4	79,2	1,2	4	120
K2120.2511408	stainless steel	traffic red RAL 3020	M8	25	11	33,3	24	18,3	28,8	96	108	1,5	8	350