

## Knurled knobs biopolymer

### Item description/product images



### Description

#### Material:

Biopolymer wood fibre reinforced, natural beech.  
Biopolymer fiberglass reinforced, black gray.  
Bushing or screw stainless steel 1.4305.

#### Version:

Natural beech with wood fiber optic or colored black gray.  
bushing and threaded pin bright stainless steel.

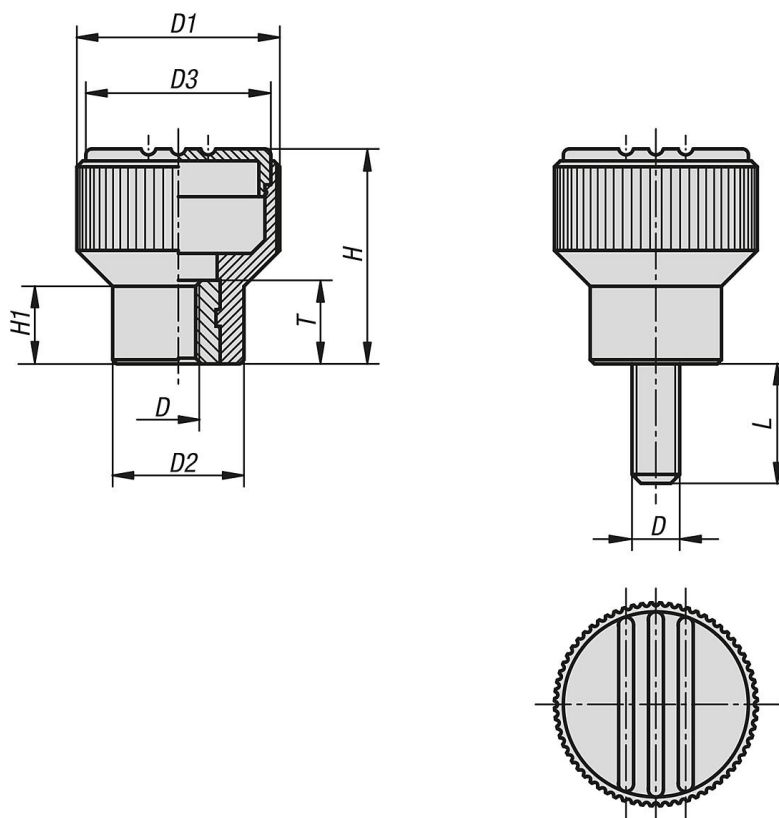
#### Note:

Good mechanical strength (tested to a minimum of 2x safety factor).  
Good chemical resistance.  
Suitable for outdoor use (weather resistant).

#### Benefits:

This biopolymer is manufactured entirely from renewable raw materials (oil free).  
Good CO<sub>2</sub> impact compared to petroleum-based plastics.  
Conservation of finite fossil resources.  
The wood fibers originate 100% from local, sustainably managed forests in Germany.  
Biopolymer is suitable for recycling (comparable to thermoplastics).

### Drawings



## Knurled knobs biopolymer

### Knurled knobs biopolymer

Order No.	Main color	D	D1	D2	D3	H	H1	L	T
K0247.100104143	natural beech	M4	21	14	19	22	8	-	10
K0247.100105143	natural beech	M5	21	14	19	22	8	-	10
K0247.100106143	natural beech	M6	21	14	19	22	8	-	10
K0247.10010490	black gray RAL 7021	M4	21	14	19	22	8	-	10
K0247.10010590	black gray RAL 7021	M5	21	14	19	22	8	-	10
K0247.10010690	black gray RAL 7021	M6	21	14	19	22	8	-	10
K0247.100105143X10	natural beech	M5	21	14	19	22	8	10	-
K0247.100106143X15	natural beech	M6	21	14	19	22	8	15	-
K0247.10010590X10	black gray RAL 7021	M5	21	14	19	22	8	10	-
K0247.10010690X15	black gray RAL 7021	M6	21	14	19	22	8	15	-