

## Positioning feet with external thread and flat face, style A

### Item description/product images



### Description

**Material:**

Steel.

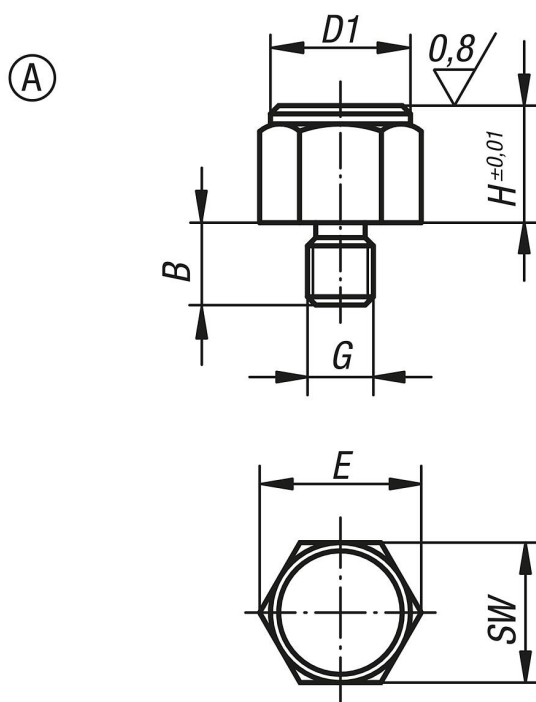
**Version:**

Case-hardened and black oxidized.

**Note:**

Positioning feet are used as supports, stops and thrust pads for fixtures and general machine and appliance construction.

### Drawings



Item No.	style	B	D1	G	H	E	SW	Tightening torque max. Nm
K0298.108	A	8	13	M6	8	14,4	13	8,5
K0298.1104	A	10	13	M6	10	14,4	13	8,5
K0298.1081	A	10	17	M8	8	19,4	17	18
K0298.1101	A	10	17	M8	10	19,4	17	18
K0298.1103	A	12	19	M10	10	21,9	19	32
K0298.1152	A	12	19	M10	15	21,9	19	32
K0298.110	A	14	22	M12	10	25,2	22	60
K0298.115	A	14	22	M12	15	25,2	22	60
K0298.1151	A	19	30	M16	15	33	30	140
K0298.1201	A	19	30	M16	20	33	30	140

