

Positioning feet with external thread and convex face, style B

Item description/product images



Description

Material:

Steel.

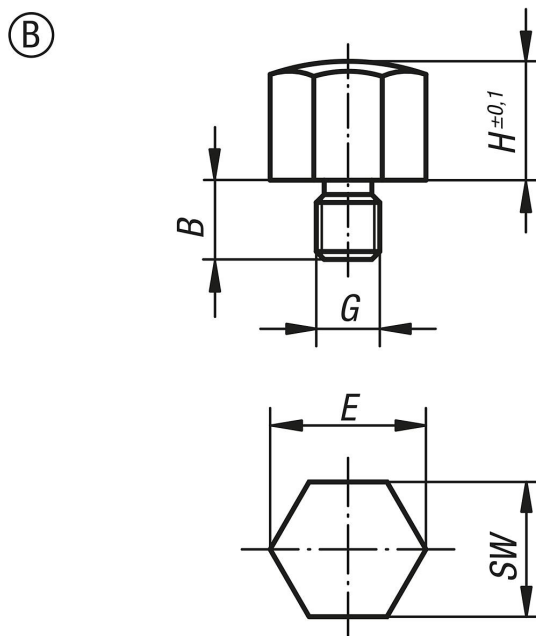
Version:

Case-hardened and black oxidized.

Note:

Positioning feet are used as supports, stops and thrust pads for fixtures and general machine and appliance construction.

Drawings



Item No.	style	B	G	H	E	SW	Tightening torque max. Nm
K0298.208	B	8	M6	8	14,4	13	8,5
K0298.2104	B	10	M6	10	14,4	13	8,5
K0298.2081	B	10	M8	8	19,4	17	18
K0298.2101	B	10	M8	10	19,4	17	18
K0298.2103	B	12	M10	10	21,9	19	32
K0298.2152	B	12	M10	15	21,9	19	32
K0298.210	B	14	M12	10	25,2	22	60
K0298.215	B	14	M12	15	25,2	22	60
K0298.2151	B	19	M16	15	33	30	140
K0298.2201	B	19	M16	20	33	30	140

