

## Positioning feet with external thread and serrated face, style C

### Item description/product images



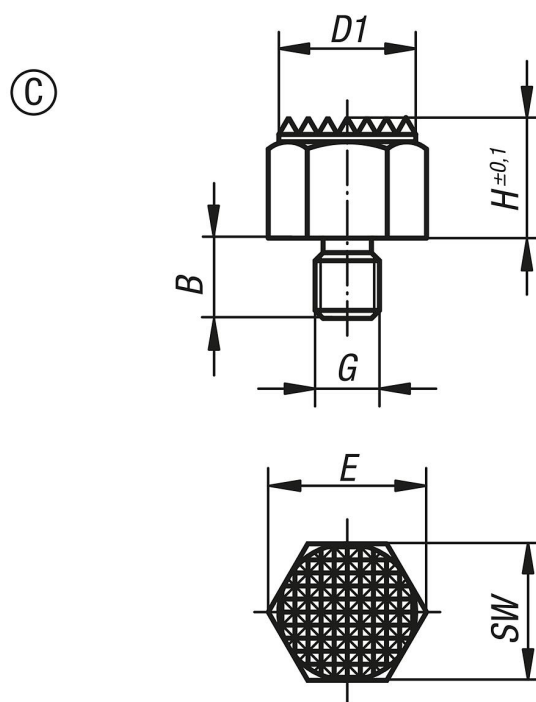
### Description

**Material:**  
Steel.

**Version:**  
Case-hardened and black oxidized.

**Note:**  
Positioning feet are used as supports, stops and thrust pads for fixtures and general machine and appliance construction.

### Drawings



Item No.	style	B	D1	G	H	E	SW	Tightening torque max. Nm
K0298.308	C	8	13	M6	8	14,4	13	8,5
K0298.3102	C	10	13	M6	10	14,4	13	8,5
K0298.3081	C	10	17	M8	8	19,4	17	18
K0298.3101	C	10	17	M8	10	19,4	17	18
K0298.3103	C	12	19	M10	10	21,9	19	32
K0298.3152	C	12	19	M10	15	21,9	19	32
K0298.310	C	14	22	M12	10	25,2	22	60
K0298.315	C	14	22	M12	15	25,2	22	60
K0298.3151	C	19	30	M16	15	33	30	140
K0298.3201	C	19	30	M16	20	33	30	140

