

## Indexing plungers, steel or stainless steel with plastic mushroom grip

### Item description/product images



### Description

#### Product description:

Indexing plungers are used where it is necessary to prevent changes of position due to lateral forces.

Some examples of this are for length, height and position indexing in machines, equipment, furniture and special vehicle construction.

A new indexed position can only be moved to after the pin has been manually retracted. style C and D are recommended for applications where the indexing pin should remain disengaged for an extended period and be prevented from springing back.

The materials used enable diverse applications including those with the highest demands on corrosion resistance

#### Version:

Steel version:

Threaded sleeve, black oxidized.

Indexing pin hardened, ground and black oxidized.

Stainless steel A2 version:

threaded sleeve bright.

Indexing pin hardened or not hardened, ground and bright.

Stainless steel A4 version:

threaded sleeve bright.

Indexing pin ground, chemically nickel-plated or bright.

#### On request:

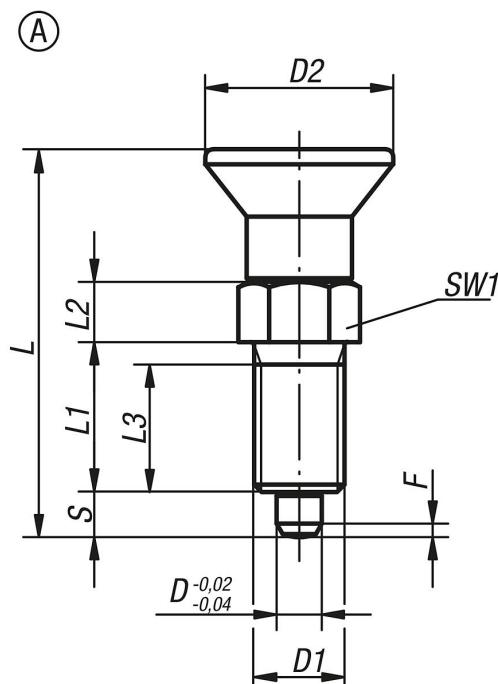
Special versions.

#### Accessory:

Spacer rings K0665

# Indexing plungers, steel or stainless steel with plastic mushroom grip

## Drawings



| Order No.     | style | Main material   | Steel code | Surface finish body | Component color      | D  | D1      | D2 | L    | L1 | L2 | L3 | Travel S | SW1 | Fx30° | Spring force initial pressure F1 approx. N | Spring force final pressure F2 approx. N |
|---------------|-------|-----------------|------------|---------------------|----------------------|----|---------|----|------|----|----|----|----------|-----|-------|--|--|
| K0338.1903    | A     | steel           | -          | hardened            | black gray RAL 7021  | 3  | M6x0,75 | 14 | 31,5 | 12 | 5  | 10 | 3,5      | 8   | 0,8   | 4,5  | 10                                       |
| K0338.1004    | A     | steel           | -          | hardened            | black gray RAL 7021  | 4  | M8x1    | 18 | 38,5 | 15 | 6  | 13 | 4        | 10  | 1     | 6  | 12                                       |
| K0338.1105    | A     | steel           | -          | hardened            | black gray RAL 7021  | 5  | M10x1   | 21 | 43,5 | 17 | 7  | 15 | 5        | 13  | 1,3   | 5  | 12                                       |
| K0338.1206    | A     | steel           | -          | hardened            | black gray RAL 7021  | 6  | M12x1,5 | 25 | 51,7 | 20 | 8  | 17 | 6        | 14  | 1,8   | 6  | 14                                       |
| K0338.1308    | A     | steel           | -          | hardened            | black gray RAL 7021  | 8  | M16x1,5 | 33 | 68   | 26 | 10 | 23 | 8        | 19  | 2,3   | 15   | 35                                       |
| K0338.1410    | A     | steel           | -          | hardened            | black gray RAL 7021  | 10 | M20x1,5 | 33 | 74   | 28 | 12 | 25 | 10       | 22  | 2,8   | 15   | 34                                       |
| K0338.1412    | A     | steel           | -          | hardened            | black gray RAL 7021  | 12 | M20x1,5 | 33 | 78   | 28 | 14 | 25 | 12       | 22  | 2,8   | 15   | 39                                       |
| K0338.1516    | A     | steel           | -          | hardened            | black gray RAL 7021  | 16 | M24x2   | 40 | 96   | 32 | 18 | 28 | 16       | 27  | 3,2   | 20   | 46                                       |
| K0338.190384  | A     | steel           | -          | hardened            | traffic red RAL 3020 | 3  | M6x0,75 | 14 | 31,5 | 12 | 5  | 10 | 3,5      | 8   | 0,8   | 4,5  | 10                                       |
| K0338.100484  | A     | steel           | -          | hardened            | traffic red RAL 3020 | 4  | M8x1    | 18 | 38,5 | 15 | 6  | 13 | 4        | 10  | 1     | 6  | 12                                       |
| K0338.110584  | A     | steel           | -          | hardened            | traffic red RAL 3020 | 5  | M10x1   | 21 | 43,5 | 17 | 7  | 15 | 5        | 13  | 1,3   | 5  | 12                                       |
| K0338.120684  | A     | steel           | -          | hardened            | traffic red RAL 3020 | 6  | M12x1,5 | 25 | 51,7 | 20 | 8  | 17 | 6        | 14  | 1,8   | 6  | 14                                       |
| K0338.130884  | A     | steel           | -          | hardened            | traffic red RAL 3020 | 8  | M16x1,5 | 33 | 68   | 26 | 10 | 23 | 8        | 19  | 2,3   | 15   | 35                                       |
| K0338.141084  | A     | steel           | -          | hardened            | traffic red RAL 3020 | 10 | M20x1,5 | 33 | 74   | 28 | 12 | 25 | 10       | 22  | 2,8   | 15   | 34                                       |
| K0338.141284  | A     | steel           | -          | hardened            | traffic red RAL 3020 | 12 | M20x1,5 | 33 | 78   | 28 | 14 | 25 | 12       | 22  | 2,8   | 15   | 39                                       |
| K0338.151684  | A     | steel           | -          | hardened            | traffic red RAL 3020 | 16 | M24x2   | 40 | 96   | 32 | 18 | 28 | 16       | 27  | 3,2   | 20   | 46                                       |
| K0338.01903   | A     | stainless steel | 1.4034     | hardened            | black gray RAL 7021  | 3  | M6x0,75 | 14 | 31,5 | 12 | 5  | 10 | 3,5      | 8   | 0,8   | 4,5  | 10                                       |
| K0338.01004   | A     | stainless steel | 1.4034     | hardened            | black gray RAL 7021  | 4  | M8x1    | 18 | 38,5 | 15 | 6  | 13 | 4        | 10  | 1     | 6  | 12                                       |
| K0338.01105   | A     | stainless steel | 1.4034     | hardened            | black gray RAL 7021  | 5  | M10x1   | 21 | 43,5 | 17 | 7  | 15 | 5        | 13  | 1,3   | 5  | 12                                       |
| K0338.01206   | A     | stainless steel | 1.4034     | hardened            | black gray RAL 7021  | 6  | M12x1,5 | 25 | 51,7 | 20 | 8  | 17 | 6        | 14  | 1,8   | 6  | 14                                       |
| K0338.01308   | A     | stainless steel | 1.4034     | hardened            | black gray RAL 7021  | 8  | M16x1,5 | 33 | 68   | 26 | 10 | 23 | 8        | 19  | 2,3   | 15   | 35                                       |
| K0338.01410   | A     | stainless steel | 1.4034     | hardened            | black gray RAL 7021  | 10 | M20x1,5 | 33 | 74   | 28 | 12 | 25 | 10       | 22  | 2,8   | 15   | 34                                       |
| K0338.01412   | A     | stainless steel | 1.4034     | hardened            | black gray RAL 7021  | 12 | M20x1,5 | 33 | 78   | 28 | 14 | 25 | 12       | 22  | 2,8   | 15   | 39                                       |
| K0338.01516   | A     | stainless steel | 1.4034     | hardened            | black gray RAL 7021  | 16 | M24x2   | 40 | 96   | 32 | 18 | 28 | 16       | 27  | 3,2   | 20   | 46                                       |
| K0338.0190384 | A     | stainless steel | 1.4034     | hardened            | traffic red RAL 3020 | 3  | M6x0,75 | 14 | 31,5 | 12 | 5  | 10 | 3,5      | 8   | 0,8   | 4,5  | 10                                       |
| K0338.0100484 | A     | stainless steel | 1.4034     | hardened            | traffic red RAL 3020 | 4  | M8x1    | 18 | 38,5 | 15 | 6  | 13 | 4        | 10  | 1     | 6  | 12                                       |
| K0338.0110584 | A     | stainless steel | 1.4034     | hardened            | traffic red RAL 3020 | 5  | M10x1   | 21 | 43,5 | 17 | 7  | 15 | 5        | 13  | 1,3   | 5  | 12                                       |
| K0338.0120684 | A     | stainless steel | 1.4034     | hardened            | traffic red RAL 3020 | 6  | M12x1,5 | 25 | 51,7 | 20 | 8  | 17 | 6        | 14  | 1,8   | 6  | 14                                       |
| K0338.0130884 | A     | stainless steel | 1.4034     | hardened            | traffic red RAL 3020 | 8  | M16x1,5 | 33 | 68   | 26 | 10 | 23 | 8        | 19  | 2,3   | 15   | 35                                       |
| K0338.0141084 | A     | stainless steel | 1.4034     | hardened            | traffic red RAL 3020 | 10 | M20x1,5 | 33 | 74   | 28 | 12 | 25 | 10       | 22  | 2,8   | 15   | 34                                       |
| K0338.0141284 | A     | stainless steel | 1.4034     | hardened            | traffic red RAL 3020 | 12 | M20x1,5 | 33 | 78   | 28 | 14 | 25 | 12       | 22  | 2,8   | 15   | 39                                       |
| K0338.0151684 | A     | stainless steel | 1.4034     | hardened            | traffic red RAL 3020 | 16 | M24x2   | 40 | 96   | 32 | 18 | 28 | 16       | 27  | 3,2   | 20   | 46                                       |
| K0338.11903   | A     | stainless steel | 1.4305     | not hardened        | black gray RAL 7021  | 3  | M6x0,75 | 14 | 31,5 | 12 | 5  | 10 | 3,5      | 8   | 0,8   | 4,5  | 10                                       |
| K0338.11004   | A     | stainless steel | 1.4305     | not hardened        | black gray RAL 7021  | 4  | M8x1    | 18 | 38,5 | 15 | 6  | 13 | 4        | 10  | 1     | 6  | 12                                       |

# Indexing plungers, steel or stainless steel with plastic mushroom grip

| Order No.     | style | Main material   | Steel code | Surface finish body | Component color      | D  | D1      | D2 | L    | L1 | L2 | L3 | Travel S | SW1 | Fx30° | Spring force initial pressure F1 approx. N | Spring force final pressure F2 approx. N |
|---------------|-------|-----------------|------------|---------------------|----------------------|----|---------|----|------|----|----|----|----------|-----|-------|--|--|
| K0338.11105   | A     | stainless steel | 1.4305     | not hardened        | black gray RAL 7021  | 5  | M10x1   | 21 | 43,5 | 17 | 7  | 15 | 5        | 13  | 1,3   | 5  | 12                                       |
| K0338.11206   | A     | stainless steel | 1.4305     | not hardened        | black gray RAL 7021  | 6  | M12x1,5 | 25 | 51,7 | 20 | 8  | 17 | 6        | 14  | 1,8   | 6  | 14                                       |
| K0338.11308   | A     | stainless steel | 1.4305     | not hardened        | black gray RAL 7021  | 8  | M16x1,5 | 33 | 68   | 26 | 10 | 23 | 8        | 19  | 2,3   | 15   | 35                                       |
| K0338.11410   | A     | stainless steel | 1.4305     | not hardened        | black gray RAL 7021  | 10 | M20x1,5 | 33 | 74   | 28 | 12 | 25 | 10       | 22  | 2,8   | 15   | 34                                       |
| K0338.11412   | A     | stainless steel | 1.4305     | not hardened        | black gray RAL 7021  | 12 | M20x1,5 | 33 | 78   | 28 | 14 | 25 | 12       | 22  | 2,8   | 15   | 39                                       |
| K0338.11516   | A     | stainless steel | 1.4305     | not hardened        | black gray RAL 7021  | 16 | M24x2   | 40 | 96   | 32 | 18 | 28 | 16       | 27  | 3,2   | 20   | 46                                       |
| K0338.1190384 | A     | stainless steel | 1.4305     | not hardened        | traffic red RAL 3020 | 3  | M6x0,75 | 14 | 31,5 | 12 | 5  | 10 | 3,5      | 8   | 0,8   | 4,5  | 10                                       |
| K0338.1100484 | A     | stainless steel | 1.4305     | not hardened        | traffic red RAL 3020 | 4  | M8x1    | 18 | 38,5 | 15 | 6  | 13 | 4        | 10  | 1     | 6  | 12                                       |
| K0338.1110584 | A     | stainless steel | 1.4305     | not hardened        | traffic red RAL 3020 | 5  | M10x1   | 21 | 43,5 | 17 | 7  | 15 | 5        | 13  | 1,3   | 5  | 12                                       |
| K0338.1120684 | A     | stainless steel | 1.4305     | not hardened        | traffic red RAL 3020 | 6  | M12x1,5 | 25 | 51,7 | 20 | 8  | 17 | 6        | 14  | 1,8   | 6  | 14                                       |
| K0338.1130884 | A     | stainless steel | 1.4305     | not hardened        | traffic red RAL 3020 | 8  | M16x1,5 | 33 | 68   | 26 | 10 | 23 | 8        | 19  | 2,3   | 15   | 35                                       |
| K0338.1141084 | A     | stainless steel | 1.4305     | not hardened        | traffic red RAL 3020 | 10 | M20x1,5 | 33 | 74   | 28 | 12 | 25 | 10       | 22  | 2,8   | 15   | 34                                       |
| K0338.1141284 | A     | stainless steel | 1.4305     | not hardened        | traffic red RAL 3020 | 12 | M20x1,5 | 33 | 78   | 28 | 14 | 25 | 12       | 22  | 2,8   | 15   | 39                                       |
| K0338.1151684 | A     | stainless steel | 1.4305     | not hardened        | traffic red RAL 3020 | 16 | M24x2   | 40 | 96   | 32 | 18 | 28 | 16       | 27  | 3,2   | 20   | 46                                       |
| K0338.61903   | A     | stainless steel | 1.4404     | nickel-plated       | black gray RAL 7021  | 3  | M6x0,75 | 14 | 31,5 | 12 | 5  | 10 | 3,5      | 8   | 0,8   | 3  | 6,5                                      |
| K0338.61004   | A     | stainless steel | 1.4404     | nickel-plated       | black gray RAL 7021  | 4  | M8x1    | 18 | 38,5 | 15 | 6  | 13 | 4        | 10  | 1     | 7  | 15,5                                     |
| K0338.61105   | A     | stainless steel | 1.4404     | nickel-plated       | black gray RAL 7021  | 5  | M10x1   | 21 | 43,5 | 17 | 7  | 15 | 5        | 13  | 1,3   | 4  | 12,5                                     |
| K0338.61206   | A     | stainless steel | 1.4404     | nickel-plated       | black gray RAL 7021  | 6  | M12x1,5 | 25 | 51,7 | 20 | 8  | 17 | 6        | 14  | 1,8   | 7  | 14,5                                     |
| K0338.61308   | A     | stainless steel | 1.4404     | nickel-plated       | black gray RAL 7021  | 8  | M16x1,5 | 33 | 68   | 26 | 10 | 23 | 8        | 19  | 2,3   | 15   | 35                                       |
| K0338.61410   | A     | stainless steel | 1.4404     | nickel-plated       | black gray RAL 7021  | 10 | M20x1,5 | 33 | 74   | 28 | 12 | 25 | 10       | 22  | 2,8   | 15   | 30                                       |
| K0338.61412   | A     | stainless steel | 1.4404     | nickel-plated       | black gray RAL 7021  | 12 | M20x1,5 | 33 | 78   | 28 | 14 | 25 | 12       | 22  | 2,8   | 15   | 39                                       |
| K0338.61516   | A     | stainless steel | 1.4404     | nickel-plated       | black gray RAL 7021  | 16 | M24x2   | 40 | 96   | 32 | 18 | 28 | 16       | 27  | 3,2   | 20   | 40                                       |
| K0338.6190384 | A     | stainless steel | 1.4404     | nickel-plated       | traffic red RAL 3020 | 3  | M6x0,75 | 14 | 31,5 | 12 | 5  | 10 | 3,5      | 8   | 0,8   | 3  | 6,5                                      |
| K0338.6100484 | A     | stainless steel | 1.4404     | nickel-plated       | traffic red RAL 3020 | 4  | M8x1    | 18 | 38,5 | 15 | 6  | 13 | 4        | 10  | 1     | 7  | 15,5                                     |
| K0338.6110584 | A     | stainless steel | 1.4404     | nickel-plated       | traffic red RAL 3020 | 5  | M10x1   | 21 | 43,5 | 17 | 7  | 15 | 5        | 13  | 1,3   | 4  | 12,5                                     |
| K0338.6120684 | A     | stainless steel | 1.4404     | nickel-plated       | traffic red RAL 3020 | 6  | M12x1,5 | 25 | 51,7 | 20 | 8  | 17 | 6        | 14  | 1,8   | 7  | 14,5                                     |
| K0338.6130884 | A     | stainless steel | 1.4404     | nickel-plated       | traffic red RAL 3020 | 8  | M16x1,5 | 33 | 68   | 26 | 10 | 23 | 8        | 19  | 2,3   | 15   | 35                                       |
| K0338.6141084 | A     | stainless steel | 1.4404     | nickel-plated       | traffic red RAL 3020 | 10 | M20x1,5 | 33 | 74   | 28 | 12 | 25 | 10       | 22  | 2,8   | 15   | 30                                       |
| K0338.6141284 | A     | stainless steel | 1.4404     | nickel-plated       | traffic red RAL 3020 | 12 | M20x1,5 | 33 | 78   | 28 | 14 | 25 | 12       | 22  | 2,8   | 15   | 39                                       |
| K0338.6151684 | A     | stainless steel | 1.4404     | nickel-plated       | traffic red RAL 3020 | 16 | M24x2   | 40 | 96   | 32 | 18 | 28 | 16       | 27  | 3,2   | 20   | 40                                       |
| K0338.71903   | A     | stainless steel | 1.4404     | bright              | black gray RAL 7021  | 3  | M6x0,75 | 14 | 31,5 | 12 | 5  | 10 | 3,5      | 8   | 0,8   | 3  | 6,5                                      |
| K0338.71004   | A     | stainless steel | 1.4404     | bright              | black gray RAL 7021  | 4  | M8x1    | 18 | 38,5 | 15 | 6  | 13 | 4        | 10  | 1     | 7  | 15,5                                     |
| K0338.71105   | A     | stainless steel | 1.4404     | bright              | black gray RAL 7021  | 5  | M10x1   | 21 | 43,5 | 17 | 7  | 15 | 5        | 13  | 1,3   | 4  | 12,5                                     |
| K0338.71206   | A     | stainless steel | 1.4404     | bright              | black gray RAL 7021  | 6  | M12x1,5 | 25 | 51,7 | 20 | 8  | 17 | 6        | 14  | 1,8   | 7  | 14,5                                     |
| K0338.71308   | A     | stainless steel | 1.4404     | bright              | black gray RAL 7021  | 8  | M16x1,5 | 33 | 68   | 26 | 10 | 23 | 8        | 19  | 2,3   | 15   | 35                                       |
| K0338.71410   | A     | stainless steel | 1.4404     | bright              | black gray RAL 7021  | 10 | M20x1,5 | 33 | 74   | 28 | 12 | 25 | 10       | 22  | 2,8   | 15   | 30                                       |
| K0338.71412   | A     | stainless steel | 1.4404     | bright              | black gray RAL 7021  | 12 | M20x1,5 | 33 | 78   | 28 | 14 | 25 | 12       | 22  | 2,8   | 15   | 39                                       |
| K0338.71516   | A     | stainless steel | 1.4404     | bright              | black gray RAL 7021  | 16 | M24x2   | 40 | 96   | 32 | 18 | 28 | 16       | 27  | 3,2   | 20   | 40                                       |
| K0338.7190384 | A     | stainless steel | 1.4404     | bright              | traffic red RAL 3020 | 3  | M6x0,75 | 14 | 31,5 | 12 | 5  | 10 | 3,5      | 8   | 0,8   | 3  | 6,5                                      |
| K0338.7100484 | A     | stainless steel | 1.4404     | bright              | traffic red RAL 3020 | 4  | M8x1    | 18 | 38,5 | 15 | 6  | 13 | 4        | 10  | 1     | 7  | 15,5                                     |
| K0338.7110584 | A     | stainless steel | 1.4404     | bright              | traffic red RAL 3020 | 5  | M10x1   | 21 | 43,5 | 17 | 7  | 15 | 5        | 13  | 1,3   | 4  | 12,5                                     |
| K0338.7120684 | A     | stainless steel | 1.4404     | bright              | traffic red RAL 3020 | 6  | M12x1,5 | 25 | 51,7 | 20 | 8  | 17 | 6        | 14  | 1,8   | 7  | 14,5                                     |
| K0338.7130884 | A     | stainless steel | 1.4404     | bright              | traffic red RAL 3020 | 8  | M16x1,5 | 33 | 68   | 26 | 10 | 23 | 8        | 19  | 2,3   | 15   | 35                                       |
| K0338.7141084 | A     | stainless steel | 1.4404     | bright              | traffic red RAL 3020 | 10 | M20x1,5 | 33 | 74   | 28 | 12 | 25 | 10       | 22  | 2,8   | 15   | 30                                       |
| K0338.7141284 | A     | stainless steel | 1.4404     | bright              | traffic red RAL 3020 | 12 | M20x1,5 | 33 | 78   | 28 | 14 | 25 | 12       | 22  | 2,8   | 15   | 39                                       |
| K0338.7151684 | A     | stainless steel | 1.4404     | bright              | traffic red RAL 3020 | 16 | M24x2   | 40 | 96   | 32 | 18 | 28 | 16       | 27  | 3,2   | 20   | 40                                       |