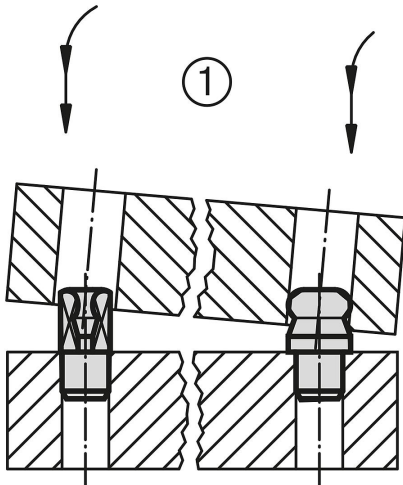


# Locating pins with ball-end style B

## Item description/product images



## Description

### Material:

Tool steel or stainless steel 1.4305.

### Version:

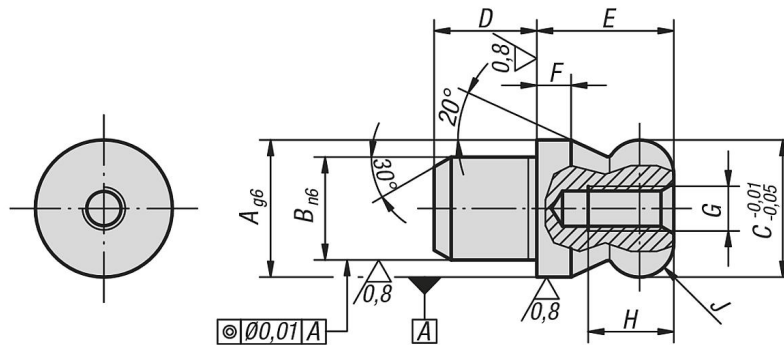
Steel hardened and ground.

Stainless steel ground and kolsterised.

### Note:

Ball end locating pins are specially designed to ease the locating process. The tendency to jam, caused by the locating hole not being at right angles to the pin or by the pushing force not being parallel to the pin axis, is minimized by the ball-end style (see illustration).

## Drawings



## Locating pins with ball-end style B

Order No.	Material	A	B	C	D	E	F	G	H	J
K0351.06	tool steel	6	4	6	4	6	2	M2,5	4,5	R 1
K0351.08	tool steel	8	6	8	6	8	2	M3	6	R 2
K0351.10	tool steel	10	7	10	7	10	2,5	M3	6	R 2,5
K0351.12	tool steel	12	8	12	8	12	3	M4	8	R 3
K0351.14	tool steel	14	10	14	10	14	3,5	M4	8	R 3,5
K0351.16	tool steel	16	12	16	12	16	4	M5	10	R 4
K0351.20	tool steel	20	14	20	14	20	5	M5	10	R 5
K0351.22	tool steel	22	16	22	16	22	5,5	M5	10	R 5,5
K0351.25	tool steel	25	18	25	18	25	6	M5	10	R 6
K0351.506	stainless steel	6	4	6	4	6	2	M2,5	4,5	R 1

**Locating pins with ball-end style B**

Order No.	Material	A	B	C	D	E	F	G	H	J
<b>K0351.508</b>	stainless steel	8	6	8	6	8	2	M3	6	R 2
<b>K0351.510</b>	stainless steel	10	7	10	7	10	2,5	M3	6	R 2,5
<b>K0351.512</b>	stainless steel	12	8	12	8	12	3	M4	8	R 3
<b>K0351.514</b>	stainless steel	14	10	14	10	14	3,5	M4	8	R 3,5
<b>K0351.516</b>	stainless steel	16	12	16	12	16	4	M5	10	R 4
<b>K0351.520</b>	stainless steel	20	14	20	14	20	5	M5	10	R 5