

Locating pins with flattened ball-end style D

Item description/product images



Description

Material:

Tool steel or stainless steel 1.4305.

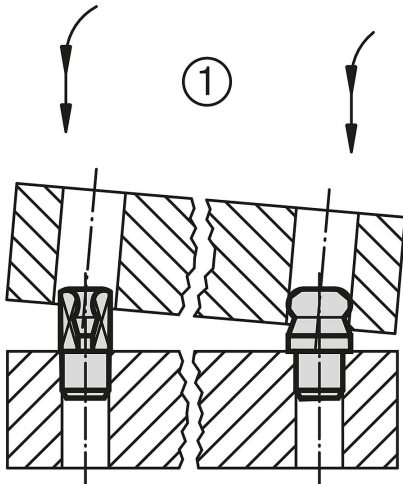
Version:

Steel hardened and ground.

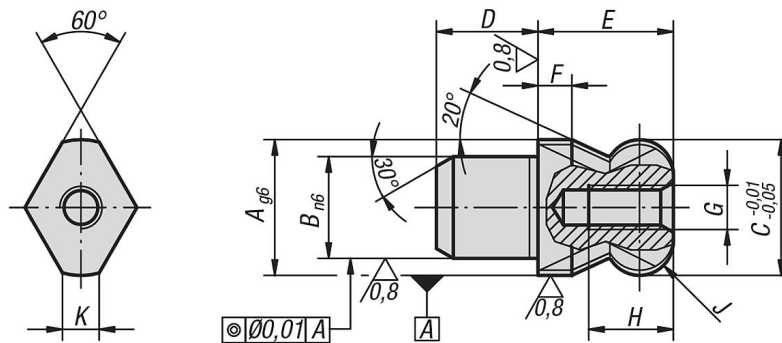
Stainless steel ground and kolsterised.

Note:

Ball end locating pins are specially designed to ease the locating process. The tendency to jam, caused by the locating hole not being at right angles to the pin or by the pushing force not being parallel to the pin axis, is minimized by the ball-end style (see illustration 1)



Drawings



Locating pins with flattened ball-end style D

Order No.	Material	A	B	C	D	E	F	G	H	J	K
K0351.062	tool steel	6	4	6	4	6	2	M2,5	4,5	R 1	1,7
K0351.082	tool steel	8	6	8	6	8	2	M3	6	R 2	2
K0351.102	tool steel	10	7	10	7	10	2,5	M3	6	R 2,5	2,5
K0351.122	tool steel	12	8	12	8	12	3	M4	8	R 3	2,5
K0351.142	tool steel	14	10	14	10	14	3,5	M4	8	R 3,5	3,76
K0351.162	tool steel	16	12	16	12	16	4	M5	10	R 4	4,3
K0351.202	tool steel	20	14	20	14	20	5	M5	10	R 5	5
K0351.222	tool steel	22	16	22	16	22	5,5	M5	10	R 5,5	5
K0351.252	tool steel	25	18	25	18	25	6	M5	10	R 6	5,6
K0351.5062	stainless steel	6	4	6	4	6	2	M2,5	4,5	R 1	1,7
K0351.5082	stainless steel	8	6	8	6	8	2	M3	6	R 2	2

Locating pins with flattened ball-end style D

Order No.	Material	A	B	C	D	E	F	G	H	J	K
K0351.5102	stainless steel	10	7	10	7	10	2,5	M3	6	R 2,5	2,5
K0351.5122	stainless steel	12	8	12	8	12	3	M4	8	R 3	2,5
K0351.5142	stainless steel	14	10	14	10	14	3,5	M4	8	R 3,5	3,76
K0351.5162	stainless steel	16	12	16	12	16	4	M5	10	R 4	4,3
K0351.5202	stainless steel	20	14	20	14	20	5	M5	10	R 5	5