

Position indicators

Item description/product images



Description

Material:

Housing polyamide 6.
Hollow shaft steel.
Screen plastic.
Grub screw steel.

Version:

Impact-resistant housing.
Hollow shaft black oxidized.
Grub screw black.
Dial black, digits white.

Note:

Position indicators allow direct reading of input measurement values at a glance. In addition, the value indicated per spindle rotation (corresponding spindle pitch) can be selected and the various indicator values are realised by a transmission gear. The position indicators are distinguished by their small construction with very clear display and fine scale. They are especially suitable for small spindle distances and small shaft diameters and have a torque support that is positioned in a hole on the side.

** At the 1st asterisk give assembly position and at the 2nd asterisk give the count direction (see sample order "assembly position, count direction").

Technical data:

- Counter consisting of 4 10-position dials + fine scale
- Height of figures about 6 mm
- Hollow shaft \varnothing 14 H7 mm
- Temperature resistant to 80 °C
- Oil and solvent resistant

On request:

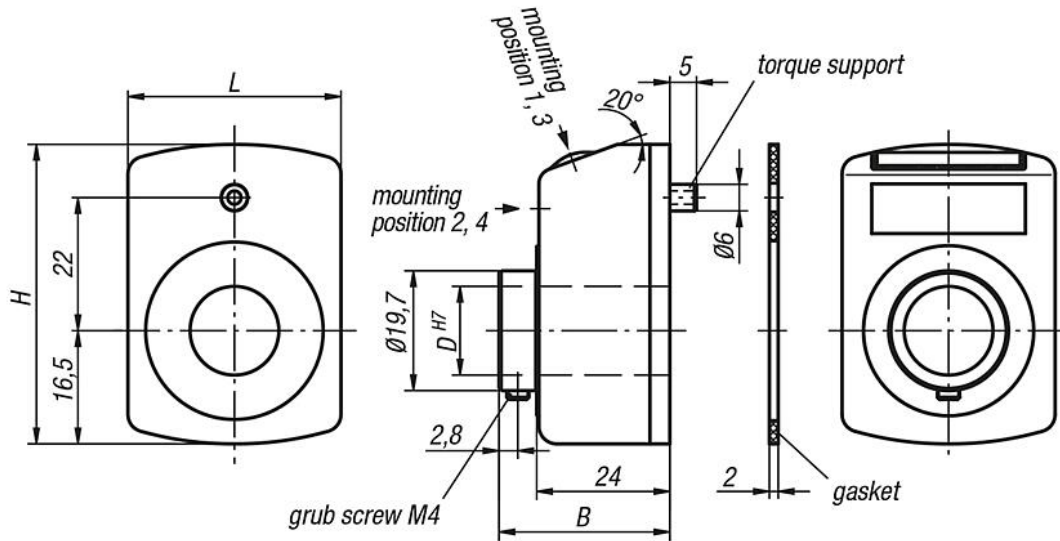
- Counter cover made of mineral glass
- Axial sealing (dust-proof)
- Vibration protection

Accessory:

- Reducing bushing K0412
- Insert plate K0413
- Mounting plates K0414

Position indicators

Drawings



Display after one rotation, with decimal point:	Mounting position (1 - 4):
e. g. K0409.01002111 0100 = 1 mm increments 2 = decimal places	e. g. K0409.01002111 = mounting position 1

Count direction (1 - 2):	Colour (1 - 2):
e. g. K0409.01002111 1 = clockwise (ascending values) 2 = anticlockwise (ascending values)	e. g. K0409.01002111 1 = orange 2 = black

Position indicators

Order No.	Main color	B	D	H	L	Pitch	Assembly position	Count direction	Indicator after one rotation	Decimal point in position	max. rpm
K0409.01002111	orange RAL 2004	31	14	47	33	1	1	1	00,10	2	500

Position indicators

Order No.	Main color	B	D	H	L	Pitch	Assembly position	Count direction	Indicator after one rotation	Decimal point in position	max. rpm
K0409.01002121	orange RAL 2004	31	14	47	33	1	1	2	00,10	2	500
K0409.01002211	orange RAL 2004	31	14	47	33	1	2	1	00,10	2	500
K0409.01002221	orange RAL 2004	31	14	47	33	1	2	2	00,10	2	500
K0409.01002311	orange RAL 2004	31	14	47	33	1	3	1	00,10	2	500
K0409.01002321	orange RAL 2004	31	14	47	33	1	3	2	00,10	2	500
K0409.01002411	orange RAL 2004	31	14	47	33	1	4	1	00,10	2	500
K0409.01002421	orange RAL 2004	31	14	47	33	1	4	2	00,10	2	500
K0409.01001111	orange RAL 2004	31	14	47	33	1	1	1	001,0	1	500
K0409.01001121	orange RAL 2004	31	14	47	33	1	1	2	001,0	1	500
K0409.01001211	orange RAL 2004	31	14	47	33	1	2	1	001,0	1	500
K0409.01001221	orange RAL 2004	31	14	47	33	1	2	2	001,0	1	500
K0409.01001311	orange RAL 2004	31	14	47	33	1	3	1	001,0	1	500
K0409.01001321	orange RAL 2004	31	14	47	33	1	3	2	001,0	1	500
K0409.01001411	orange RAL 2004	31	14	47	33	1	4	1	001,0	1	500
K0409.01001421	orange RAL 2004	31	14	47	33	1	4	2	001,0	1	500
K0409.01251111	orange RAL 2004	31	14	47	33	1,25	1	1	001,2/5	1	500
K0409.01251121	orange RAL 2004	31	14	47	33	1,25	1	2	001,2/5	1	500
K0409.01251211	orange RAL 2004	31	14	47	33	1,25	2	1	001,2/5	1	500
K0409.01251221	orange RAL 2004	31	14	47	33	1,25	2	2	001,2/5	1	500
K0409.01251311	orange RAL 2004	31	14	47	33	1,25	3	1	001,2/5	1	500
K0409.01251321	orange RAL 2004	31	14	47	33	1,25	3	2	001,2/5	1	500
K0409.01251411	orange RAL 2004	31	14	47	33	1,25	4	1	001,2/5	1	500
K0409.01251421	orange RAL 2004	31	14	47	33	1,25	4	2	001,2/5	1	500
K0409.01501111	orange RAL 2004	31	14	47	33	1,5	1	1	001,5	1	500
K0409.01501121	orange RAL 2004	31	14	47	33	1,5	1	2	001,5	1	500
K0409.01501211	orange RAL 2004	31	14	47	33	1,5	2	1	001,5	1	500
K0409.01501221	orange RAL 2004	31	14	47	33	1,5	2	2	001,5	1	500
K0409.01501311	orange RAL 2004	31	14	47	33	1,5	3	1	001,5	1	500
K0409.01501321	orange RAL 2004	31	14	47	33	1,5	3	2	001,5	1	500
K0409.01501411	orange RAL 2004	31	14	47	33	1,5	4	1	001,5	1	500
K0409.01501421	orange RAL 2004	31	14	47	33	1,5	4	2	001,5	1	500
K0409.02001111	orange RAL 2004	31	14	47	33	2	1	1	002,0	1	500
K0409.02001121	orange RAL 2004	31	14	47	33	2	1	2	002,0	1	500
K0409.02001211	orange RAL 2004	31	14	47	33	2	2	1	002,0	1	500
K0409.02001221	orange RAL 2004	31	14	47	33	2	2	2	002,0	1	500
K0409.02001311	orange RAL 2004	31	14	47	33	2	3	1	002,0	1	500
K0409.02001321	orange RAL 2004	31	14	47	33	2	3	2	002,0	1	500
K0409.02001411	orange RAL 2004	31	14	47	33	2	4	1	002,0	1	500
K0409.02001421	orange RAL 2004	31	14	47	33	2	4	2	002,0	1	500
K0409.02501111	orange RAL 2004	31	14	47	33	2,5	1	1	002,5	1	500
K0409.02501121	orange RAL 2004	31	14	47	33	2,5	1	2	002,5	1	500
K0409.02501211	orange RAL 2004	31	14	47	33	2,5	2	1	002,5	1	500
K0409.02501221	orange RAL 2004	31	14	47	33	2,5	2	2	002,5	1	500
K0409.02501311	orange RAL 2004	31	14	47	33	2,5	3	1	002,5	1	500
K0409.02501321	orange RAL 2004	31	14	47	33	2,5	3	2	002,5	1	500
K0409.02501411	orange RAL 2004	31	14	47	33	2,5	4	1	002,5	1	500
K0409.02501421	orange RAL 2004	31	14	47	33	2,5	4	2	002,5	1	500
K0409.03001111	orange RAL 2004	31	14	47	33	3	1	1	003,0	1	500
K0409.03001121	orange RAL 2004	31	14	47	33	3	1	2	003,0	1	500
K0409.03001211	orange RAL 2004	31	14	47	33	3	2	1	003,0	1	500
K0409.03001221	orange RAL 2004	31	14	47	33	3	2	2	003,0	1	500
K0409.03001311	orange RAL 2004	31	14	47	33	3	3	1	003,0	1	500
K0409.03001321	orange RAL 2004	31	14	47	33	3	3	2	003,0	1	500
K0409.03001411	orange RAL 2004	31	14	47	33	3	4	1	003,0	1	500
K0409.03001421	orange RAL 2004	31	14	47	33	3	4	2	003,0	1	500
K0409.04001111	orange RAL 2004	31	14	47	33	4	1	1	004,0	1	375
K0409.04001121	orange RAL 2004	31	14	47	33	4	1	2	004,0	1	375
K0409.04001211	orange RAL 2004	31	14	47	33	4	2	1	004,0	1	375
K0409.04001221	orange RAL 2004	31	14	47	33	4	2	2	004,0	1	375
K0409.04001311	orange RAL 2004	31	14	47	33	4	3	1	004,0	1	375
K0409.04001321	orange RAL 2004	31	14	47	33	4	3	2	004,0	1	375
K0409.04001411	orange RAL 2004	31	14	47	33	4	4	1	004,0	1	375

Position indicators

Order No.	Main color	B	D	H	L	Pitch	Assembly position	Count direction	Indicator after one rotation	Decimal point in position	max. rpm
K0409.04001421	orange RAL 2004	31	14	47	33	4	4	2	004,0	1	375
K0409.05001111	orange RAL 2004	31	14	47	33	5	1	1	005,0	1	300
K0409.05001121	orange RAL 2004	31	14	47	33	5	1	2	005,0	1	300
K0409.05001211	orange RAL 2004	31	14	47	33	5	2	1	005,0	1	300
K0409.05001221	orange RAL 2004	31	14	47	33	5	2	2	005,0	1	300
K0409.05001311	orange RAL 2004	31	14	47	33	5	3	1	005,0	1	300
K0409.05001321	orange RAL 2004	31	14	47	33	5	3	2	005,0	1	300
K0409.05001411	orange RAL 2004	31	14	47	33	5	4	1	005,0	1	300
K0409.05001421	orange RAL 2004	31	14	47	33	5	4	2	005,0	1	300
K0409.06001111	orange RAL 2004	31	14	47	33	6	1	1	006,0	1	250
K0409.06001121	orange RAL 2004	31	14	47	33	6	1	2	006,0	1	250
K0409.06001211	orange RAL 2004	31	14	47	33	6	2	1	006,0	1	250
K0409.06001221	orange RAL 2004	31	14	47	33	6	2	2	006,0	1	250
K0409.06001311	orange RAL 2004	31	14	47	33	6	3	1	006,0	1	250
K0409.06001321	orange RAL 2004	31	14	47	33	6	3	2	006,0	1	250
K0409.06001411	orange RAL 2004	31	14	47	33	6	4	1	006,0	1	250
K0409.06001421	orange RAL 2004	31	14	47	33	6	4	2	006,0	1	250
K0409.08001111	orange RAL 2004	31	14	47	33	8	1	1	008,0	1	180
K0409.08001121	orange RAL 2004	31	14	47	33	8	1	2	008,0	1	180
K0409.08001211	orange RAL 2004	31	14	47	33	8	2	1	008,0	1	180
K0409.08001221	orange RAL 2004	31	14	47	33	8	2	2	008,0	1	180
K0409.08001311	orange RAL 2004	31	14	47	33	8	3	1	008,0	1	180
K0409.08001321	orange RAL 2004	31	14	47	33	8	3	2	008,0	1	180
K0409.08001411	orange RAL 2004	31	14	47	33	8	4	1	008,0	1	180
K0409.08001421	orange RAL 2004	31	14	47	33	8	4	2	008,0	1	180
K0409.10001111	orange RAL 2004	31	14	47	33	10	1	1	010,0	1	150
K0409.10001121	orange RAL 2004	31	14	47	33	10	1	2	010,0	1	150
K0409.10001211	orange RAL 2004	31	14	47	33	10	2	1	010,0	1	150
K0409.10001221	orange RAL 2004	31	14	47	33	10	2	2	010,0	1	150
K0409.10001311	orange RAL 2004	31	14	47	33	10	3	1	010,0	1	150
K0409.10001321	orange RAL 2004	31	14	47	33	10	3	2	010,0	1	150
K0409.10001411	orange RAL 2004	31	14	47	33	10	4	1	010,0	1	150
K0409.10001421	orange RAL 2004	31	14	47	33	10	4	2	010,0	1	150
K0409.01002112	black	31	14	47	33	1	1	1	00,10	2	500
K0409.01002122	black	31	14	47	33	1	1	2	00,10	2	500
K0409.01002212	black	31	14	47	33	1	2	1	00,10	2	500
K0409.01002222	black	31	14	47	33	1	2	2	00,10	2	500
K0409.01002312	black	31	14	47	33	1	3	1	00,10	2	500
K0409.01002322	black	31	14	47	33	1	3	2	00,10	2	500
K0409.01002412	black	31	14	47	33	1	4	1	00,10	2	500
K0409.01002422	black	31	14	47	33	1	4	2	00,10	2	500
K0409.01001112	black	31	14	47	33	1	1	1	001,0	1	500
K0409.01001122	black	31	14	47	33	1	1	2	001,0	1	500
K0409.01001212	black	31	14	47	33	1	2	1	001,0	1	500
K0409.01001222	black	31	14	47	33	1	2	2	001,0	1	500
K0409.01001312	black	31	14	47	33	1	3	1	001,0	1	500
K0409.01001322	black	31	14	47	33	1	3	2	001,0	1	500
K0409.01001412	black	31	14	47	33	1	4	1	001,0	1	500
K0409.01001422	black	31	14	47	33	1	4	2	001,0	1	500
K0409.01251112	black	31	14	47	33	1,25	1	1	001,2/5	1	500
K0409.01251122	black	31	14	47	33	1,25	1	2	001,2/5	1	500
K0409.01251212	black	31	14	47	33	1,25	2	1	001,2/5	1	500
K0409.01251222	black	31	14	47	33	1,25	2	2	001,2/5	1	500
K0409.01251312	black	31	14	47	33	1,25	3	1	001,2/5	1	500
K0409.01251322	black	31	14	47	33	1,25	3	2	001,2/5	1	500
K0409.01251412	black	31	14	47	33	1,25	4	1	001,2/5	1	500
K0409.01251422	black	31	14	47	33	1,25	4	2	001,2/5	1	500
K0409.01501112	black	31	14	47	33	1,5	1	1	001,5	1	500
K0409.01501122	black	31	14	47	33	1,5	1	2	001,5	1	500
K0409.01501212	black	31	14	47	33	1,5	2	1	001,5	1	500
K0409.01501222	black	31	14	47	33	1,5	2	2	001,5	1	500
K0409.01501312	black	31	14	47	33	1,5	3	1	001,5	1	500

Position indicators

Order No.	Main color	B	D	H	L	Pitch	Assembly position	Count direction	Indicator after one rotation	Decimal point in position	max. rpm
K0409.01501322	black	31	14	47	33	1,5	3	2	001,5	1	500
K0409.01501412	black	31	14	47	33	1,5	4	1	001,5	1	500
K0409.01501422	black	31	14	47	33	1,5	4	2	001,5	1	500
K0409.02001112	black	31	14	47	33	2	1	1	002,0	1	500
K0409.02001122	black	31	14	47	33	2	1	2	002,0	1	500
K0409.02001212	black	31	14	47	33	2	2	1	002,0	1	500
K0409.02001222	black	31	14	47	33	2	2	2	002,0	1	500
K0409.02001312	black	31	14	47	33	2	3	1	002,0	1	500
K0409.02001322	black	31	14	47	33	2	3	2	002,0	1	500
K0409.02001412	black	31	14	47	33	2	4	1	002,0	1	500
K0409.02001422	black	31	14	47	33	2	4	2	002,0	1	500
K0409.02501112	black	31	14	47	33	2,5	1	1	002,5	1	500
K0409.02501122	black	31	14	47	33	2,5	1	2	002,5	1	500
K0409.02501212	black	31	14	47	33	2,5	2	1	002,5	1	500
K0409.02501222	black	31	14	47	33	2,5	2	2	002,5	1	500
K0409.02501312	black	31	14	47	33	2,5	3	1	002,5	1	500
K0409.02501322	black	31	14	47	33	2,5	3	2	002,5	1	500
K0409.02501412	black	31	14	47	33	2,5	4	1	002,5	1	500
K0409.02501422	black	31	14	47	33	2,5	4	2	002,5	1	500
K0409.03001112	black	31	14	47	33	3	1	1	003,0	1	500
K0409.03001122	black	31	14	47	33	3	1	2	003,0	1	500
K0409.03001212	black	31	14	47	33	3	2	1	003,0	1	500
K0409.03001222	black	31	14	47	33	3	2	2	003,0	1	500
K0409.03001312	black	31	14	47	33	3	3	1	003,0	1	500
K0409.03001322	black	31	14	47	33	3	3	2	003,0	1	500
K0409.03001412	black	31	14	47	33	3	4	1	003,0	1	500
K0409.03001422	black	31	14	47	33	3	4	2	003,0	1	500
K0409.04001112	black	31	14	47	33	4	1	1	004,0	1	375
K0409.04001122	black	31	14	47	33	4	1	2	004,0	1	375
K0409.04001212	black	31	14	47	33	4	2	1	004,0	1	375
K0409.04001222	black	31	14	47	33	4	2	2	004,0	1	375
K0409.04001312	black	31	14	47	33	4	3	1	004,0	1	375
K0409.04001322	black	31	14	47	33	4	3	2	004,0	1	375
K0409.04001412	black	31	14	47	33	4	4	1	004,0	1	375
K0409.04001422	black	31	14	47	33	4	4	2	004,0	1	375
K0409.05001112	black	31	14	47	33	5	1	1	005,0	1	300
K0409.05001122	black	31	14	47	33	5	1	2	005,0	1	300
K0409.05001212	black	31	14	47	33	5	2	1	005,0	1	300
K0409.05001222	black	31	14	47	33	5	2	2	005,0	1	300
K0409.05001312	black	31	14	47	33	5	3	1	005,0	1	300
K0409.05001322	black	31	14	47	33	5	3	2	005,0	1	300
K0409.05001412	black	31	14	47	33	5	4	1	005,0	1	300
K0409.05001422	black	31	14	47	33	5	4	2	005,0	1	300
K0409.06001112	black	31	14	47	33	6	1	1	006,0	1	250
K0409.06001122	black	31	14	47	33	6	1	2	006,0	1	250
K0409.06001212	black	31	14	47	33	6	2	1	006,0	1	250
K0409.06001222	black	31	14	47	33	6	2	2	006,0	1	250
K0409.06001312	black	31	14	47	33	6	3	1	006,0	1	250
K0409.06001322	black	31	14	47	33	6	3	2	006,0	1	250
K0409.06001412	black	31	14	47	33	6	4	1	006,0	1	250
K0409.06001422	black	31	14	47	33	6	4	2	006,0	1	250
K0409.08001112	black	31	14	47	33	8	1	1	008,0	1	180
K0409.08001122	black	31	14	47	33	8	1	2	008,0	1	180
K0409.08001212	black	31	14	47	33	8	2	1	008,0	1	180
K0409.08001222	black	31	14	47	33	8	2	2	008,0	1	180
K0409.08001312	black	31	14	47	33	8	3	1	008,0	1	180
K0409.08001322	black	31	14	47	33	8	3	2	008,0	1	180
K0409.08001412	black	31	14	47	33	8	4	1	008,0	1	180
K0409.08001422	black	31	14	47	33	8	4	2	008,0	1	180
K0409.10001112	black	31	14	47	33	10	1	1	010,0	1	150
K0409.10001122	black	31	14	47	33	10	1	2	010,0	1	150
K0409.10001212	black	31	14	47	33	10	2	1	010,0	1	150

Position indicators

Order No.	Main color	B	D	H	L	Pitch	Assembly position	Count direction	Indicator after one rotation	Decimal point in position	max. rpm
K0409.10001222	black	31	14	47	33	10	2	2	010,0	1	150
K0409.10001312	black	31	14	47	33	10	3	1	010,0	1	150
K0409.10001322	black	31	14	47	33	10	3	2	010,0	1	150
K0409.10001412	black	31	14	47	33	10	4	1	010,0	1	150
K0409.10001422	black	31	14	47	33	10	4	2	010,0	1	150