

## Tube clamps cross, stainless steel, style A

### Item description/product images

---



### Description

**Material:**

Stainless steel investment cast 1.4308.

ISO 4762 cap screw and ISO 4032 nut, stainless steel.

**Version:**

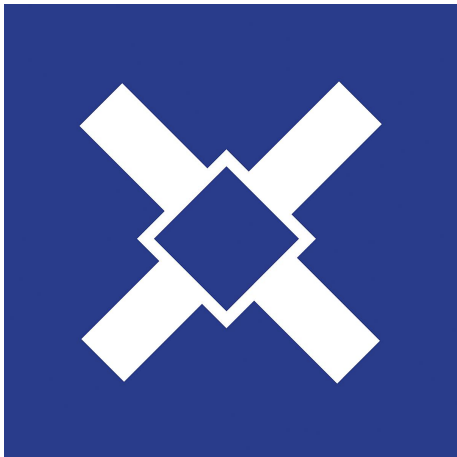
Electropolished.

**On request:**

- Round and square tubes K0493

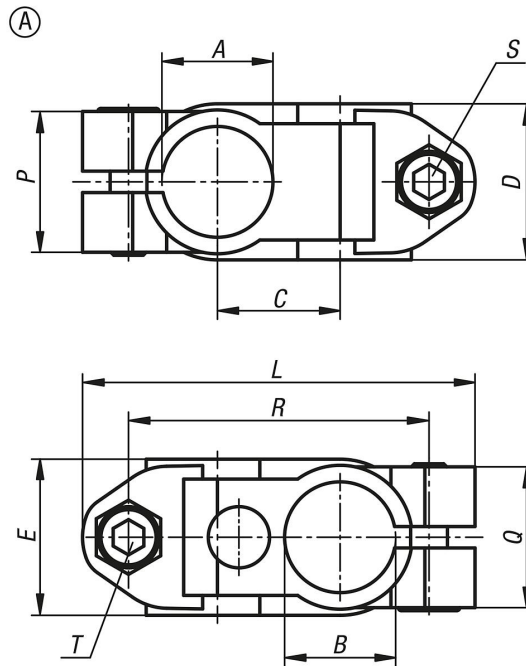
**Accessory:**

Adjustable handles for tightening.



**Tube clamps cross, stainless steel, style A**

**Drawings**



**Tube clamps cross, stainless steel**

Order No.	style	A	B	C	D	E	L	P	Q	R	S	T
K0472.11212	A	12,1	12,1	20	25,5	25,5	64	23	23	49	M6x18	M6x18
K0472.11414	A	14,1	14,1	20	25,5	25,5	64	23	23	49	M6x18	M6x18
K0472.11616	A	16,1	16,1	20	25,5	25,5	64	23	23	49	M6x18	M6x18
K0472.11818	A	18,1	18,1	20	25,5	25,5	64	23	23	49	M6x18	M6x18
K0472.12020	A	20,1	20,1	21	25,5	25,5	64	23	23	49	M6x18	M6x18