

# Tube clamps T-angle, stainless steel, style A

## Item description/product images



### Description

**Material:**

Stainless steel investment cast 1.4308.

ISO 4762 cap screw and ISO 4032 nut, stainless steel.

**Version:**

Electropolished.

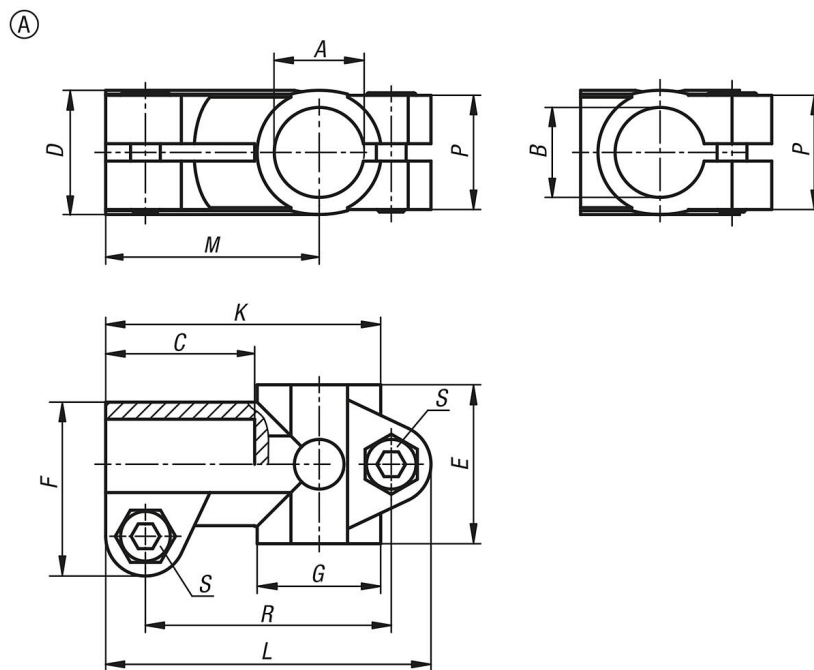
**On request:**

Adjustable handles for tightening.

**Accessory:**

- Round and square tubes K0493

## Drawings



Order No.	style	A	B	C	D	E	F	K	L	M	P	R	S
K0475.11212	A	12,1	12,1	30,5	25	32	35	55,5	65,5	43	23	49,5	M6x18
K0475.11414	A	14,1	14,1	30,5	25	32	35	55,5	65,5	43	23	49,5	M6x18
K0475.11616	A	16,1	16,1	30,5	25	32	35	55,5	65,5	43	23	49,5	M6x18
K0475.11818	A	18,1	18,1	30,5	25	32	35	55,5	65,5	43	23	49,5	M6x18
K0475.12020	A	20,1	20,1	30,5	25	32	35	55,5	65,5	43	23	49,5	M6x18

