

Tube clamps base, stainless steel, style A

Item description/product images



Description

Material:

Stainless steel investment cast 1.4308.

ISO 4762 cap screw and ISO 4032 nut, stainless steel.

Version:

Electropolished.

On request:

Adjustable handles for tightening.

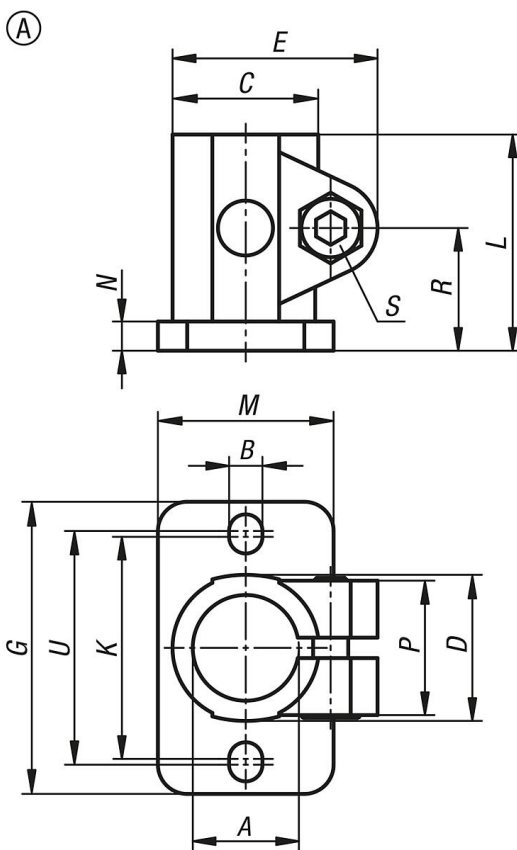
Accessory:

- Round and square tubes K0493



Tube clamps base, stainless steel, style A

Drawings



Tube clamps base, stainless steel

Order No.	style	A	B	C	D	E	G	K	L	M	N	P	R	S	U
K0477.112	A	12,1	5,7	27	25	35	50	38	37	30	5	23	21	M6x18	40
K0477.114	A	14,1	5,7	27	25	35	50	38	37	30	5	23	21	M6x18	40
K0477.116	A	16,1	5,7	27	25	35	50	38	37	30	5	23	21	M6x18	40
K0477.118	A	18,1	5,7	27	25	35	50	38	37	30	5	23	21	M6x18	40
K0477.120	A	20,1	5,7	27	25	35	50	38	37	30	5	23	21	M6x18	40