

Tube clamps base, stainless steel, style B

Item description/product images



Description

Material:
Electropolished.

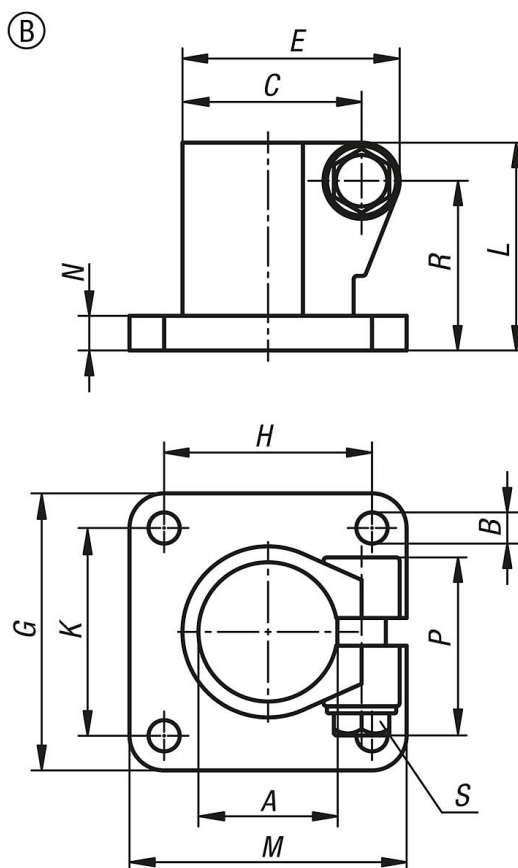
Version:
Adjustable handles for tightening.

Note:
Stainless steel investment cast 1.4308.
ISO 4017 hex head screw and ISO 4032 nut, stainless steel.

On request:
- Round and square tubes K0493

Accessory:
The tube clamps with diameters 30 and 40 mm have a silicone body that protects the thread of the hex head screw from contamination and damage.

Drawings



Tube clamps base, stainless steel

Order No.	style	A	B	C	D	E	G	H	K	L	M	N	P	R	S
K0477.130	B	30,1	7	39	37,4	48	60	40	40	50	60	7	45.5	41	M8x30

Tube clamps base, stainless steel, style B

Order No.	style	A	B	C	D	E	G	H	K	L	M	N	P	R	S
K0477.140	B	40,17	9	51,7	49,4	63	80	60	60	60	80	10	52	48,7	M10x35