

## Indexing plungers, steel or stainless steel, short version with plastic mushroom grip, locking slot and locknut

Item description/product images



### Description

#### Material:

Steel version

Indexing pin hardened:  
grade 5.8

Stainless steel version

Indexing pin not hardened:

Threaded body 1.4305.  
Indexing pin 1.4305.

Mushroom grip thermoplastic, black-gray or traffic red RAL 3020.

#### Version:

Steel version:

Indexing pin hardened, ground, black oxidized.

Stainless steel version:

Indexing pin not hardened, ground, bright.

#### Note:

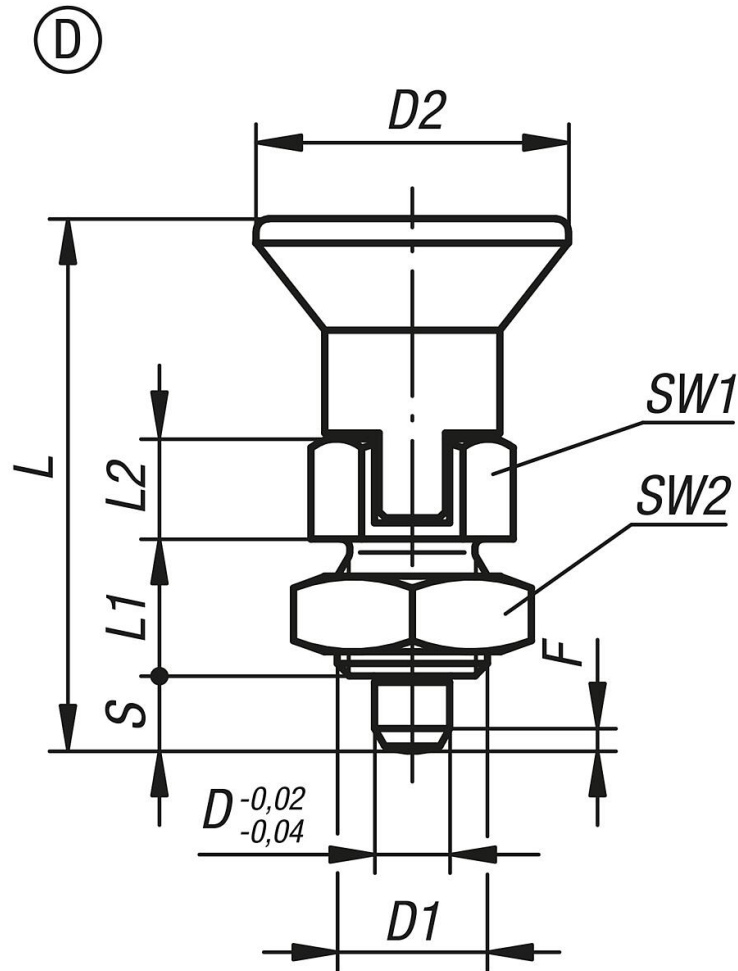
Indexing plungers are used to prevent any change in position due to lateral forces. A new locking position can only be set after the pin has been manually disengaged. style C or D is recommended for applications in which the pin is disengaged over extended periods and should be prevented from springing back.

#### On request:

Special versions.

**Indexing plungers, steel or stainless steel, short version with plastic mushroom grip, locking slot and locknut**

Drawings



Order No.	style	Main material	Surface finish body	Component color	D	D1	D2	L	L1	L2	Travel S	SW1	SW2	Fx30°	Spring force initial pressure F1 approx. N	Spring force final pressure F2 approx. N
K0631.8903	D	steel	hardened	black gray RAL 7021	3	M6x0,75	14	25,5	6	5	3,5	8	10	0,8	4	10
K0631.8004	D	steel	hardened	black gray RAL 7021	4	M8x1	18	29,5	6	6	4	10	13	1	4	12
K0631.8105	D	steel	hardened	black gray RAL 7021	5	M10x1	21	34,5	8	7	5	13	17	1,3	5	12
K0631.8206	D	steel	hardened	black gray RAL 7021	6	M12x1,5	25	41,7	10	8	6	14	19	1,8	6	14
K0631.8308	D	steel	hardened	black gray RAL 7021	8	M16x1,5	33	54	12	10	8	19	24	2,3	14	28
K0631.8410	D	steel	hardened	black gray RAL 7021	10	M20x1,5	33	61	15	12	10	22	30	2,8	15	32
K0631.890384	D	steel	hardened	traffic red RAL 3020	3	M6x0,75	14	25,5	6	5	3,5	8	10	0,8	4	10
K0631.800484	D	steel	hardened	traffic red RAL 3020	4	M8x1	18	29,5	6	6	4	10	13	1	4	12
K0631.810584	D	steel	hardened	traffic red RAL 3020	5	M10x1	21	34,5	8	7	5	13	17	1,3	5	12
K0631.820684	D	steel	hardened	traffic red RAL 3020	6	M12x1,5	25	41,7	10	8	6	14	19	1,8	6	14
K0631.830884	D	steel	hardened	traffic red RAL 3020	8	M16x1,5	33	54	12	10	8	19	24	2,3	14	28
K0631.841084	D	steel	hardened	traffic red RAL 3020	10	M20x1,5	33	61	15	12	10	22	30	2,8	15	32
K0631.18903	D	stainless steel	not hardened	black gray RAL 7021	3	M6x0,75	14	25,5	6	5	3,5	8	10	0,8	4	10
K0631.18004	D	stainless steel	not hardened	black gray RAL 7021	4	M8x1	18	29,5	6	6	4	10	13	1	4	12
K0631.18105	D	stainless steel	not hardened	black gray RAL 7021	5	M10x1	21	34,5	8	7	5	13	17	1,3	5	12
K0631.18206	D	stainless steel	not hardened	black gray RAL 7021	6	M12x1,5	25	41,7	10	8	6	14	19	1,8	6	14
K0631.18308	D	stainless steel	not hardened	black gray RAL 7021	8	M16x1,5	33	54	12	10	8	19	24	2,3	14	28
K0631.18410	D	stainless steel	not hardened	black gray RAL 7021	10	M20x1,5	33	61	15	12	10	22	30	2,8	15	32
K0631.1890384	D	stainless steel	not hardened	traffic red RAL 3020	3	M6x0,75	14	25,5	6	5	3,5	8	10	0,8	4	10
K0631.1800484	D	stainless steel	not hardened	traffic red RAL 3020	4	M8x1	18	29,5	6	6	4	10	13	1	4	12
K0631.1810584	D	stainless steel	not hardened	traffic red RAL 3020	5	M10x1	21	34,5	8	7	5	13	17	1,3	5	12
K0631.1820684	D	stainless steel	not hardened	traffic red RAL 3020	6	M12x1,5	25	41,7	10	8	6	14	19	1,8	6	14
K0631.1830884	D	stainless steel	not hardened	traffic red RAL 3020	8	M16x1,5	33	54	12	10	8	19	24	2,3	14	28

**Indexing plungers, steel or stainless steel, short version with plastic mushroom grip, locking slot and locknut**

Order No.	style	Main material	Surface finish body	Component color	D	D1	D2	L	L1	L2	Travel S	SW1	SW2	Fx30°	Spring force initial pressure F1 approx. N	Spring force final pressure F2 approx. N
<b>K0631.1841084</b>	D	stainless steel	not hardened	traffic red RAL 3020	10	M20x1,5	33	61	15	12	10	22	30	2,8	15	32