

Levelling feet steel or stainless steel style C

Item description/product images



Description

Material:

Foot plate and threaded spindle steel or stainless steel.

Rubber support (NBR) 80 Shore.

Version:

Foot plate and threaded spindle electro zinc-plated steel.

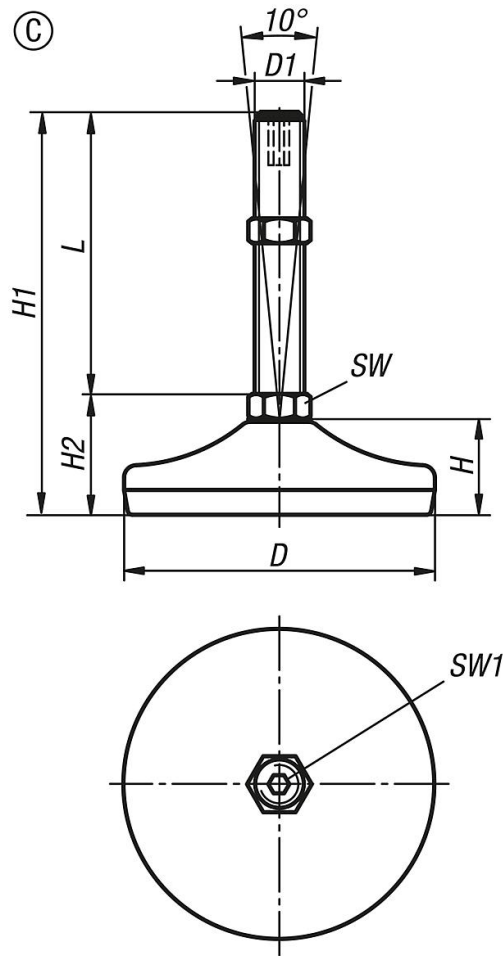
Foot plate polished stainless steel.

Threaded spindle bright stainless steel.

Rubber support, vulcanised, black.

Levelling feet steel or stainless steel style C

Drawings



Order No.	style	Main material	D	D1	H	H1	H2	SW	SW1	L	Load rating max. kN (static load only)
K0739.3105010X50	C	steel	50	M10	19	79	29	14	5	50	4
K0739.3105012X50	C	steel	50	M12	19	79	29	14	6	50	4
K0739.3105012X100	C	steel	50	M12	19	129	29	14	6	100	4
K0739.3105016X75	C	steel	50	M16	19	104	29	16	8	75	4
K0739.3105016X100	C	steel	50	M16	19	129	29	16	8	100	4
K0739.3105016X150	C	steel	50	M16	19	179	29	16	8	150	4
K0739.3106010X50	C	steel	60	M10	22	82	32	14	5	50	7
K0739.3106012X50	C	steel	60	M12	22	82	32	14	6	50	7
K0739.3106012X100	C	steel	60	M12	22	132	32	14	6	100	7
K0739.3106016X75	C	steel	60	M16	22	108	33	16	8	75	7
K0739.3106016X100	C	steel	60	M16	22	133	33	16	8	100	7
K0739.3106016X150	C	steel	60	M16	22	183	33	16	8	150	7
K0739.3108016X100	C	steel	80	M16	25	135	35	16	8	100	10
K0739.3108016X150	C	steel	80	M16	25	185	35	16	8	150	10
K0739.3108020X75	C	steel	80	M20	25	111	36	20	10	75	10
K0739.3110020X100	C	steel	100	M20	28	138,5	38,5	20	10	100	15
K0739.3110020X150	C	steel	100	M20	28	188,5	38,5	20	10	150	15
K0739.3110024X200	C	steel	100	M24	28	238,5	38,5	24	10	200	15
K0739.3112020X100	C	steel	120	M20	32	142,5	42,5	20	10	100	30
K0739.3112020X150	C	steel	120	M20	32	192,5	42,5	20	10	150	30
K0739.3112020X200	C	steel	120	M20	32	242,5	42,5	20	10	200	30
K0739.3112024X100	C	steel	120	M24	32	142,5	42,5	24	10	100	30
K0739.3112024X150	C	steel	120	M24	32	192,5	42,5	24	10	150	30

Levelling feet steel or stainless steel style C

Order No.	style	Main material	D	D1	H	H1	H2	SW	SW1	L	Load rating max. kN (static load only)
K0739.3112024X200	C	steel	120	M24	32	242,5	42,5	24	10	200	30
K0739.3112030X100	C	steel	120	M30	32	143,5	43,5	30	10	100	30
K0739.3112030X150	C	steel	120	M30	32	193,5	43,5	30	10	150	30
K0739.3112030X200	C	steel	120	M30	32	243,5	43,5	30	10	200	30
K0739.3205010X50	C	stainless steel	50	M10	19	79	29	14	5	50	4
K0739.3205012X50	C	stainless steel	50	M12	19	79	29	14	6	50	4
K0739.3205012X100	C	stainless steel	50	M12	19	129	29	14	6	100	4
K0739.3205016X75	C	stainless steel	50	M16	19	104	29	13	8	75	4
K0739.3205016X100	C	stainless steel	50	M16	19	129	29	13	8	100	4
K0739.3205016X150	C	stainless steel	50	M16	19	179	29	13	8	150	4
K0739.3205016X200	C	stainless steel	50	M16	19	229	29	13	8	200	4
K0739.3206010X50	C	stainless steel	60	M10	22	82	32	14	5	50	7
K0739.3206012X50	C	stainless steel	60	M12	22	82	32	14	6	50	7
K0739.3206012X100	C	stainless steel	60	M12	22	132	32	14	6	100	7
K0739.3206016X75	C	stainless steel	60	M16	22	108	33	13	8	75	7
K0739.3206016X100	C	stainless steel	60	M16	22	133	33	13	8	100	7
K0739.3206016X150	C	stainless steel	60	M16	22	183	33	13	8	150	7
K0739.3206016X200	C	stainless steel	60	M16	22	233	33	13	8	200	7
K0739.3208016X75	C	stainless steel	80	M16	25	110	35	13	8	75	10
K0739.3208016X100	C	stainless steel	80	M16	25	135	35	13	8	100	10
K0739.3208016X125	C	stainless steel	80	M16	25	160	35	13	8	125	10
K0739.3208016X150	C	stainless steel	80	M16	25	185	35	13	8	150	10
K0739.3208016X175	C	stainless steel	80	M16	25	210	35	13	8	175	10
K0739.3208020X75	C	stainless steel	80	M20	25	113	38	17	10	75	10
K0739.3208020X200	C	stainless steel	80	M20	25	238	38	17	10	200	10
K0739.3210020X150	C	stainless steel	100	M20	30	193	43	17	10	150	15
K0739.3212020X100	C	stainless steel	120	M20	32	143	43	17	10	100	30
K0739.3212020X150	C	stainless steel	120	M20	32	194	44	17	10	150	30
K0739.3212020X200	C	stainless steel	120	M20	32	244	44	17	10	200	30
K0739.3212024X100	C	stainless steel	120	M24	32	145	45	20	10	100	30
K0739.3212024X150	C	stainless steel	120	M24	32	195	45	20	10	150	30
K0739.3212024X200	C	stainless steel	120	M24	32	245	45	20	10	200	30
K0739.3212030X100	C	stainless steel	120	M30	32	147	47	26	10	100	30
K0739.3212030X150	C	stainless steel	120	M30	32	197	47	26	10	150	30
K0739.3212030X200	C	stainless steel	120	M30	32	247	47	26	10	200	30