

## Hinges plastic with fastening holes

### Item description/product images



### Description

**Material:**

fiberglass reinforced thermoplastic.  
Hinge pin steel.

**Version:**

Hinge black.  
Hinge pin electro zinc-plated.

**Note:**

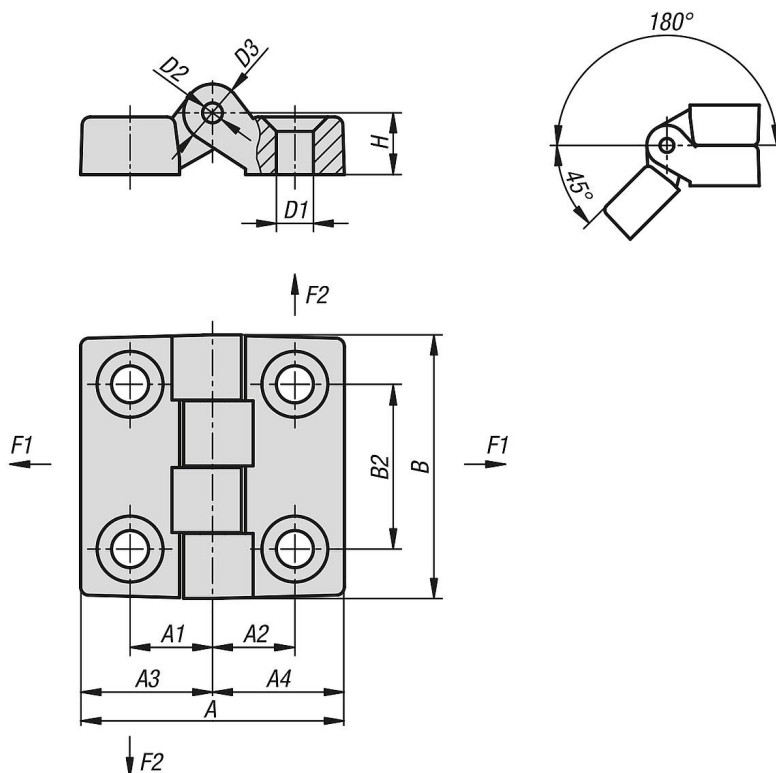
Hinges with fastening holes for DIN 7991/UNI 5933 countersunk screws.

The loading values given for the hinges are non-binding reference values without consideration of safety factors and exclude any liability. The values given are for information purposes only and do not constitute a legally binding assurance of properties.

The load values have been determined under laboratory conditions. Each user must determine individually whether the hinge is suitable for the respective application.

Different materials onto which the hinges are installed and the type of mounting, weather conditions and wear can influence the determined values.

### Drawings



## Plastic hinges with fastening holes

Order No.	A	A1	A2	A3	A4	B	B2	D1	D2	D3	H	F1 N	F2 N
<b>K1004.004161010</b>	32	10	10	16	16	32	20	4,5	3	7	7	1440	490
<b>K1004.006241515</b>	48	15	15	24	24	48	30	6,5	5	10	10,5	1960	1470
<b>K1004.006322020</b>	64	20	20	32	32	64	40	6,5	5	12	13	2850	1520
<b>K1004.008483232</b>	96	31,5	31,5	48	48	96	60	8,5	8	16	16	4300	1810
<b>K1004.010483232</b>	96	31,5	31,5	48	48	96	60	10,5	8	16	16	4300	1810