

Hinges plastic with bushing

Item description/product images



Description

Material:

Fiberglass reinforced thermoplastic.

Hinge pin steel.

Bushing brass.

Version:

Hinge black.

Hinge pin electro zinc-plated.

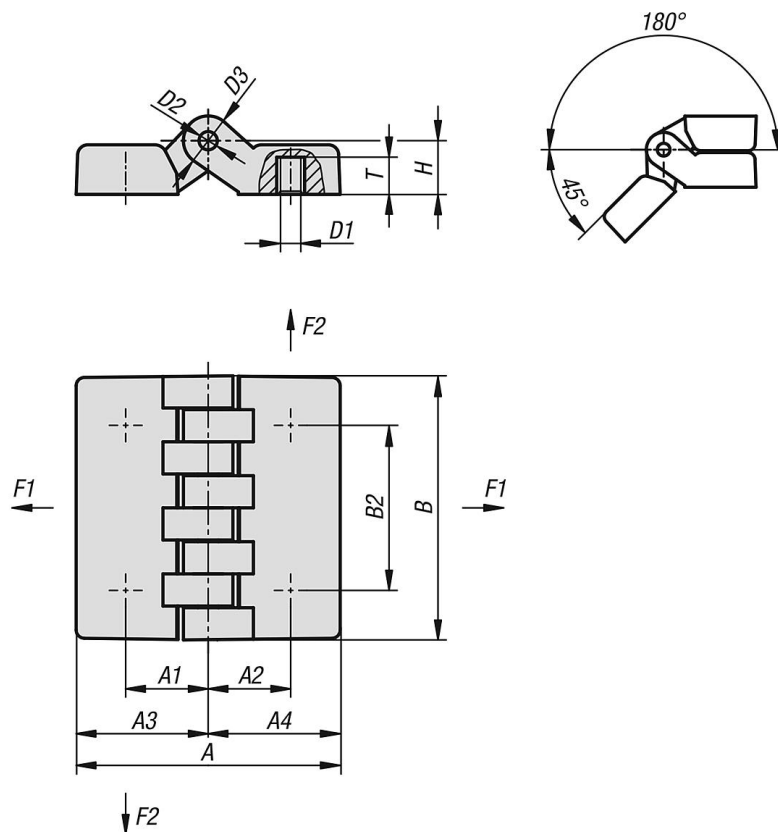
Note:

The loading values given for the hinges are non-binding reference values without consideration of safety factors and exclude any liability. The values given are for information purposes only and do not constitute a legally binding assurance of properties.

The load values have been determined under laboratory conditions. Each user must determine individually whether the hinge is suitable for the respective application.

Different materials onto which the hinges are installed and the type of mounting, weather conditions and wear can influence the determined values.

Drawings



Hinges plastic with bushing

Hinges, plastic, with bushing

Order No.	A	A1	A2	A3	A4	B	B2	D1	D2	D3	H	T	F1 N	F2 N
K1005.05241515	48	15	15	24	24	48	30	M5	5	10	10,5	7	2000	1370
K1005.06241515	48	15	15	24	24	48	30	M6	5	10	10,5	7	2000	1370
K1005.06322020	64	20	20	32	32	64	40	M6	5	12	13	9	4100	1800
K1005.08322020	64	20	20	32	32	64	40	M8	5	12	13	9	4100	1800
K1005.08483232	95	31,5	31,5	47,5	47,5	95	60	M8	8	18	19	13	2450	2650
K1005.10483232	95	31,5	31,5	47,5	47,5	95	60	M10	8	18	19	13	2450	2650