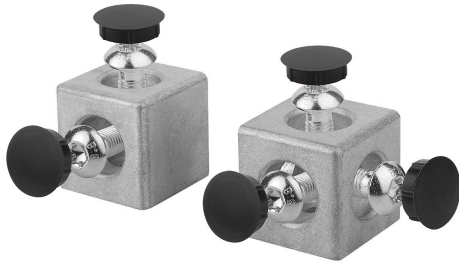


## Cube connector sets Type B

### Item description/product images



### Description

**Material:**

Cube die-cast aluminium.  
Screws steel.  
End caps polyamide.

**Version:**

Aluminium bright.  
Screws with self-tapping thread.  
End cap black.

**Note:**

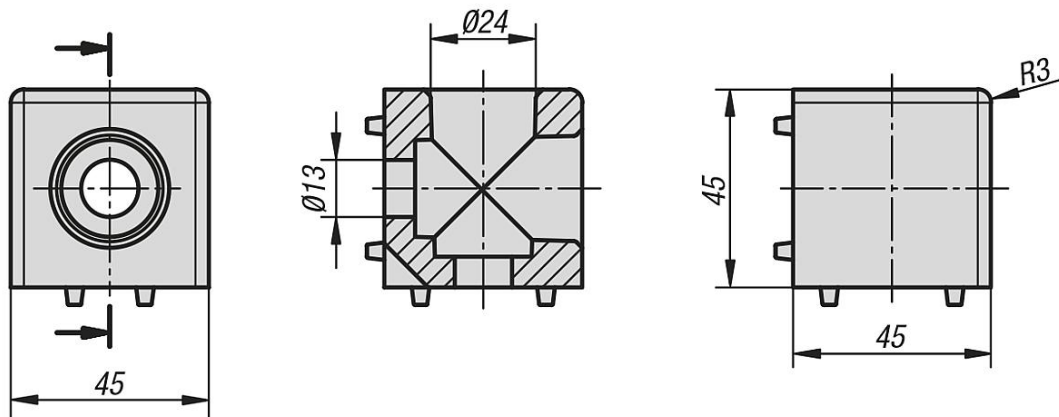
The cube connector can be used to connect two or three profiles to each other by the end faces. The cube connectors have guide lugs that ensure a perfect and secure installation. Fastening to the profile is carried out by self-tapping screws. The open holes can be closed off with the end caps.

The profile slots positioned at right-angles to each other remain free. Panel elements can be positioned in the profile slots without additional machining.

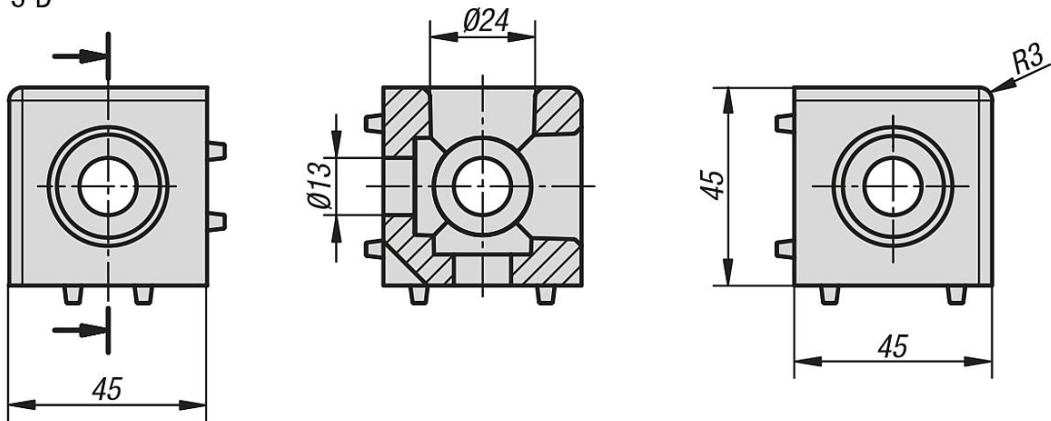
Cube connector sets Type B

Drawings

2-D



3-D



Overview of items

Cube connector sets Type B

Order No.	Type	Slot width	Version
K1039.102	B	10	2-D
K1039.103	B	10	3-D