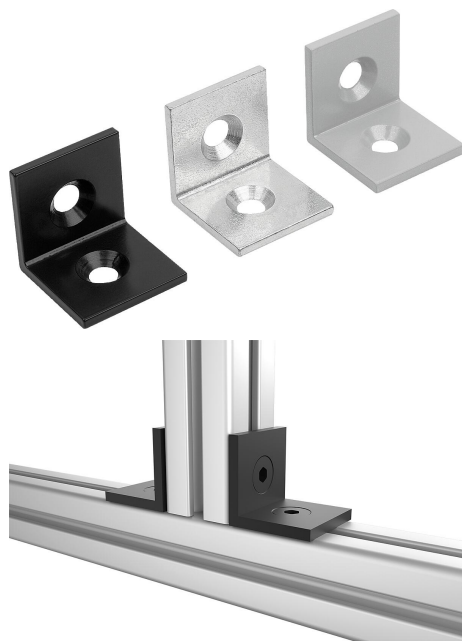


## Angles

### Item description/product images



### Description

**Material:**

Steel.

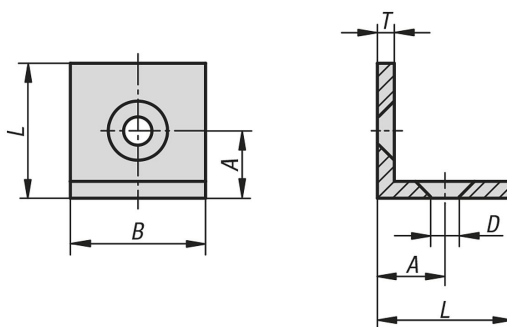
**Version:**

black, powder coated aluminium tone or electro zinc-plated.

**Note:**

Universal fastening element for a rigid connection and linkage of profiles, panel elements or lightweight shelving.

### Drawings



### Overview of items

#### Angles

Order No.	Type	Slot width	Main colour	Surface finish body	A	B	D for screw	L	T
K1043.061	I	6	black	powder-coated	15	30	M6	30	3
K1043.062	I	6	aluminium tone	powder-coated	15	30	M6	30	3
K1043.063	I	6	silver	galvanised	15	30	M6	30	3
K1043.081	I	8/10	black	powder-coated	20	40	M8	40	5
K1043.082	I	8/10	aluminium tone	powder-coated	20	40	M8	40	5
K1043.083	I	8/10	silver	galvanised	20	40	M8	40	5

