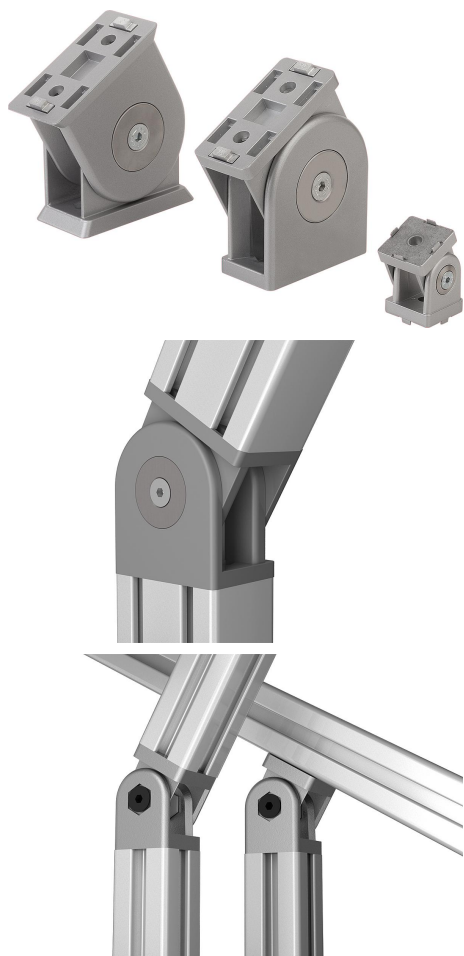


Joins without clamping levers

Item description/product images



Description

Material:

Joint die-cast zinc.
Fasteners die-cast zinc.
Spacer rings stainless steel.
Tapped bush and countersunk screws steel.

Version:

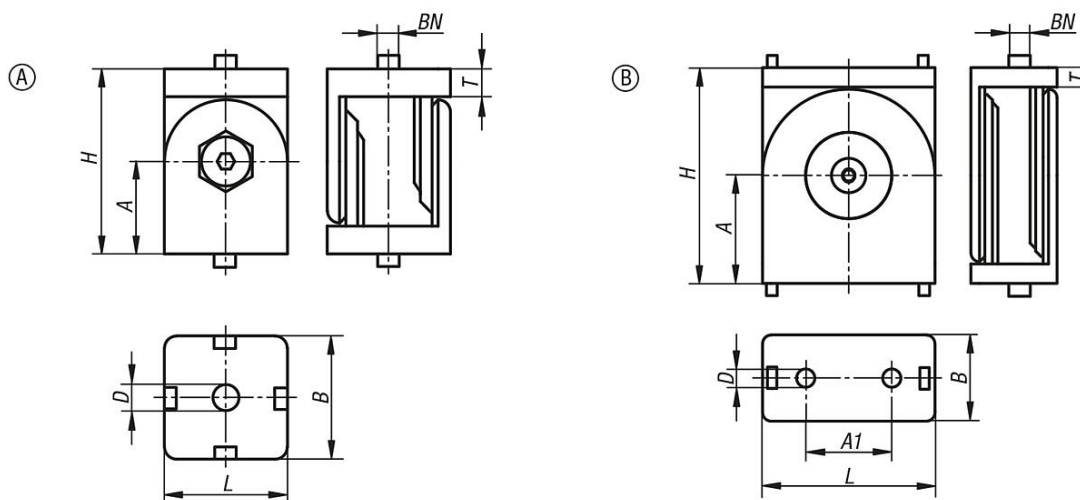
Joint painted aluminium tone.
Fasteners electro zinc-plated.
Spacer rings bright.
Tapped bushes and countersunk screws electro zinc-plated.

Note:

Joins for connecting two profiles at any angle.
The adjustment range is 0° to 180°. The joint can also be used as a heavy hinge.

When the spacer rings are inserted, the joint can move freely. When these are removed, the joint can be used as a rigid angle element. The joints are particularly suitable for use as adjustable brackets, swivel arms or similar applications.

Drawings



Overview of items

Order No.	Type	BN=Slot width	Form	A	A1	B	D	H	L	T
K1051.063030	I	6	A	22,5	-	30	6,4	45	30	7
K1051.084040	I	8	A	30	-	40	8,4	60	40	9

Joints without clamping levers

Overview of items

Order No.	Type	BN=Slot width	Form	A	A1	B	D	H	L	T
K1051.084080	I	8	B	50	40	40	8,4	100	80	9
K1051.083030	B	8	A	22,5	-	30	8,3	45	30	7
K1051.104545	B	10	A	30	-	45	8,5	60	45	8
K1051.104590	B	10	B	50	45	45	8,5	100	90	9