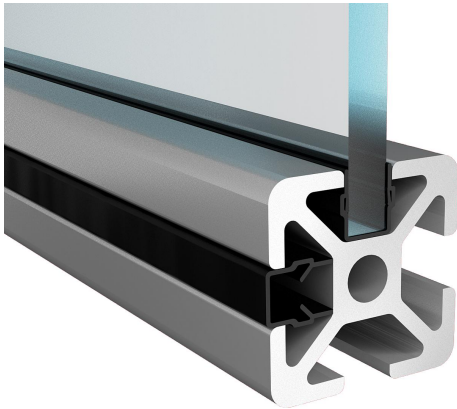


Cover and adapter profiles Type B and Type I

Item description/product images



Description

Material:

Type I polypropylene.

Type B polypropylene + TPE.

Version:

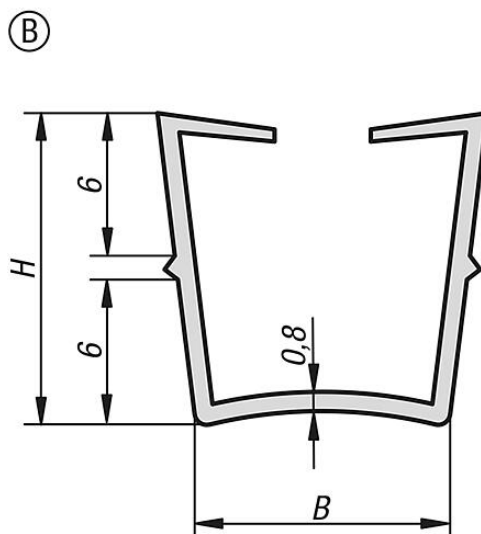
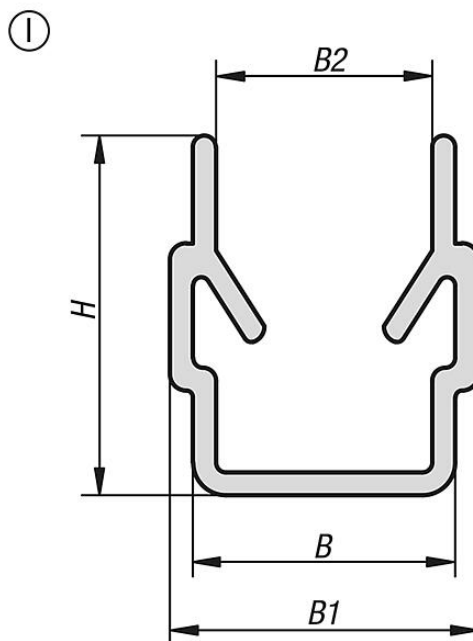
black or bright.

Note:

The cover and adapter profile made of flexible plastic are used for two different applications. As a cover profile it seals the profile slots against dust and dirt. As an adapter profile with the open side facing out it is used to hold panel elements.

Cover and adapter profiles Type B and Type I

Drawings



Overview of items

Cover and adapter profiles Type B and Type I

Order No.	Main colour	Type	Slot width	B	B1	B2	H	Length	Panel element
K1054.06120351	black	I	6	6	7	4,4	9,1	2000	2,0 - 3,5
K1054.06120350	natural	I	6	6	7	4,4	9,1	2000	2,0 - 3,5
K1054.08120601	black	I	8	8	9,4	6,6	9,1	2000	2,0 - 6,0
K1054.08140601	black	I	8	8	9,4	6,6	11	2000	4,0 - 6,0
K1054.08140600	natural	I	8	8	9,4	6,6	11	2000	4,0 - 6,0
K1054.10220601	black	B	10	10	-	-	13	2000	2,0 - 6,0

