

Triangular star grips, style L

Item description/product images



Description

Material:

fiberglass reinforced thermoplastic.

Screw steel.

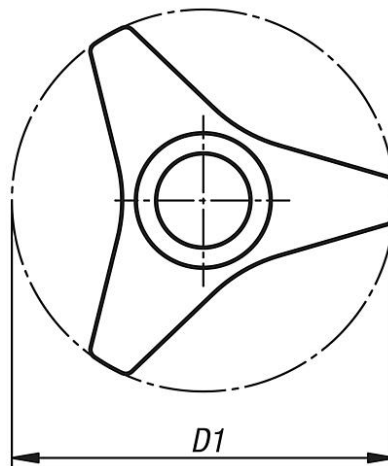
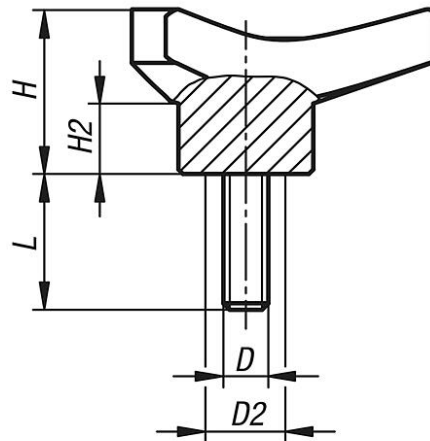
Version:

Grip, black.

Screw electro zinc-plated.

Drawings

Ⓛ



Triangular star grips, style L

Order No.	Style	D	D1	D2	D3	D6	H	H1	H2	L	T1
K1083.48508X20	L	M8	85	18	30	21	37	30,5	16	20	2
K1083.48508X30	L	M8	85	18	30	21	37	30,5	16	30	2
K1083.48510X20	L	M10	85	18	30	21	37	30,5	16	20	2
K1083.48510X30	L	M10	85	18	30	21	37	30,5	16	30	2
K1083.48512X20	L	M12	85	18	30	21	37	30,5	16	20	2
K1083.48512X40	L	M12	85	18	30	21	37	30,5	16	40	2
K1083.410512X30	L	M12	105	20	35	25	46	37,5	19	30	2
K1083.410512X50	L	M12	105	20	35	25	46	37,5	19	50	2