

Pull handles stainless steel, oval

Item description/product images



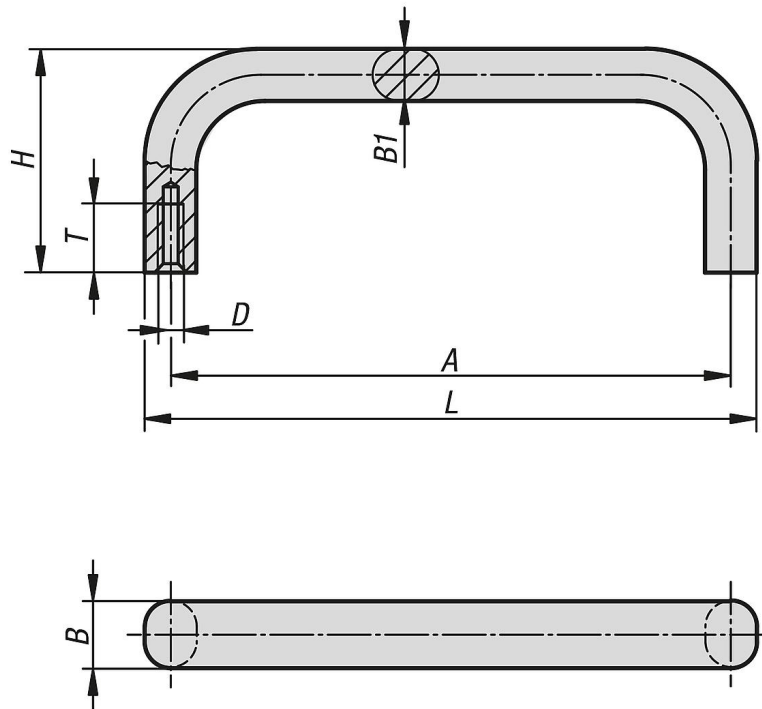
Description

Material:
Stainless steel 1.4301.

Version:
Vibratory ground semi-gloss finish.

Assembly:
From the rear.

Drawings



Order No.	A	B	B1	D	H	L	T	Load capacity N
K1086.1000805	100	12	8	M5	39	108	10	1000
K1086.1200805	120	12	8	M5	39	128	10	1000
K1086.1001005	100	15	10	M5	39	110	10	1000
K1086.1501005	150	15	10	M5	39	160	10	1000
K1086.1801005	180	15	10	M5	39	190	10	1000