

Telescopic slides, steel Double-T form, full extension, load capacity up to 305 kg

Item description/product images



Description

Material:

Rail and race ball-bearing steel.

Balls, ball-bearing steel.

Ball cage steel.

Version:

Rail, runner and ball cage electro zinc-plated.

Race inductively hardened.

Balls hardened.

Note for ordering:

Sold individually.

Note:

Full extension consisting of two guide rails which form the intermediate element when connected to each other to form a double T profile, plus two runners which form the link to the connection construction as fixed and moving elements. High load rating and low bending thanks to compact, square design with high base load. The maximum travel is greater than the closed length of the telescopic slide. Mounting should be carried out horizontally if possible. To allow access to all fastening holes, the locking screw in the rail must be removed before mounting and replaced afterwards. Travel in both directions is achieved by removing the locking screws.

The internal stops limit the cage. Provide external stops for a loaded system.

Form A:

Use grade 10.9 screws to install the slide.

Form B:

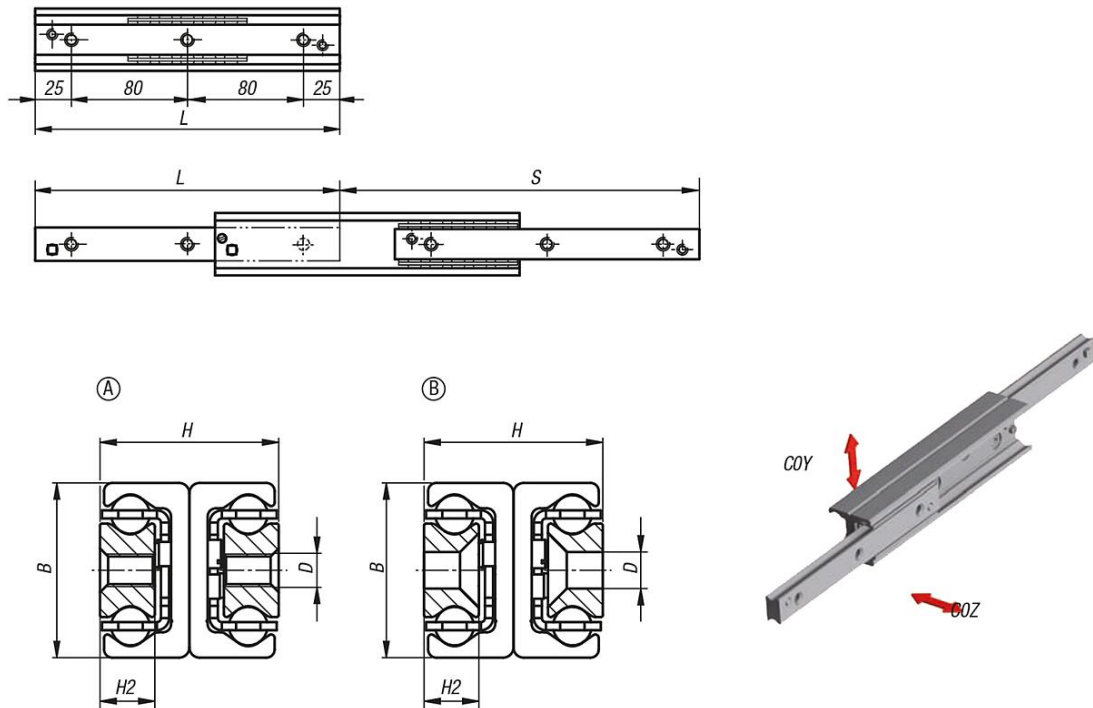
Use grade 10.9 DIN EN ISO 10642 countersunk head screws to install the slide.

The maximum traversing speed is 0.8 m/s.

Application temperature -30 °C to +170 °C.

Telescopic slides, steel Double-T form, full extension, load capacity up to 305 kg

Drawings



Overview of items

Telescopic slides, steel, double-T form, full extension, load capacity up to 305 kg

Order No.	Form	Form definition	Size	B	D for screw	H	H2	L	Travel S	COY N	COZ N	No. of holes
K2018.1280210	A	with tapped holes	28	28	M5	26	7,5	210	232	432	302	3
K2018.1280370	A	with tapped holes	28	28	M5	26	7,5	370	380	968	471	5
K2018.1280450	A	with tapped holes	28	28	M5	26	7,5	450	464	1169	385	6
K2018.1280530	A	with tapped holes	28	28	M5	26	7,5	530	548	1107	325	7
K2018.1350370	A	with tapped holes	35	35	M6	34	10	370	406	1025	718	5
K2018.1350450	A	with tapped holes	35	35	M6	34	10	450	494	1250	793	6
K2018.1350530	A	with tapped holes	35	35	M6	34	10	530	558	1685	728	7
K2018.1350610	A	with tapped holes	35	35	M6	34	10	610	646	1908	626	8
K2018.1430450	A	with tapped holes	43	43	M8	44	13,5	450	486	1828	1279	6
K2018.1430530	A	with tapped holes	43	43	M8	44	13,5	530	556	2375	1434	7
K2018.1430610	A	with tapped holes	43	43	M8	44	13,5	610	626	2934	1300	8
K2018.1430770	A	with tapped holes	43	43	M8	44	13,5	770	796	3055	1016	10
K2018.1430930	A	with tapped holes	43	43	M8	44	13,5	930	966	2506	833	12
K2018.2280210	B	with countersink	28	28	M5	26	7,5	210	232	432	302	3
K2018.2280370	B	with countersink	28	28	M5	26	7,5	370	380	968	471	5
K2018.2280450	B	with countersink	28	28	M5	26	7,5	450	464	1169	385	6
K2018.2280530	B	with countersink	28	28	M5	26	7,5	530	548	1107	325	7
K2018.2350370	B	with countersink	35	35	M6	34	10	370	406	1025	718	5
K2018.2350450	B	with countersink	35	35	M6	34	10	450	494	1250	793	6
K2018.2350530	B	with countersink	35	35	M6	34	10	530	558	1685	728	7
K2018.2350610	B	with countersink	35	35	M6	34	10	610	646	1908	626	8
K2018.2430450	B	with countersink	43	43	M8	44	13,5	450	486	1828	1279	6
K2018.2430530	B	with countersink	43	43	M8	44	13,5	530	556	2375	1434	7
K2018.2430610	B	with countersink	43	43	M8	44	13,5	610	626	2934	1300	8
K2018.2430770	B	with countersink	43	43	M8	44	13,5	770	796	3055	1016	10
K2018.2430930	B	with countersink	43	43	M8	44	13,5	930	966	2506	833	12

Telescopic slides, steel Double-T form, full extension, load capacity up to 305 kg

Overview of items

