

Linear ball bearing with internal race, steel, load capacity up to 3,959 kg

Item description/product images



Description

Material:

Rail and race ball-bearing steel.

Balls, ball-bearing steel.

Ball cage steel.

Version:

Rail, runner and ball cage electro zinc-plated.

Race inductively hardened.

Balls hardened.

Note for ordering:

Sold individually.

Note:

Linear ball bearing consisting of a guide rail and a race which runs within the ball cage in the guide rail. Mounting should be carried out horizontally if possible.

The internal stops limit the cage. Provide external stops for a loaded system.

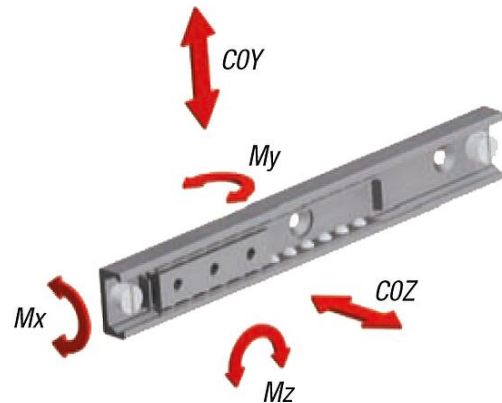
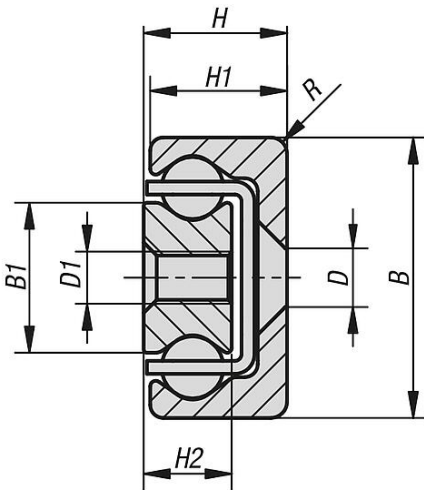
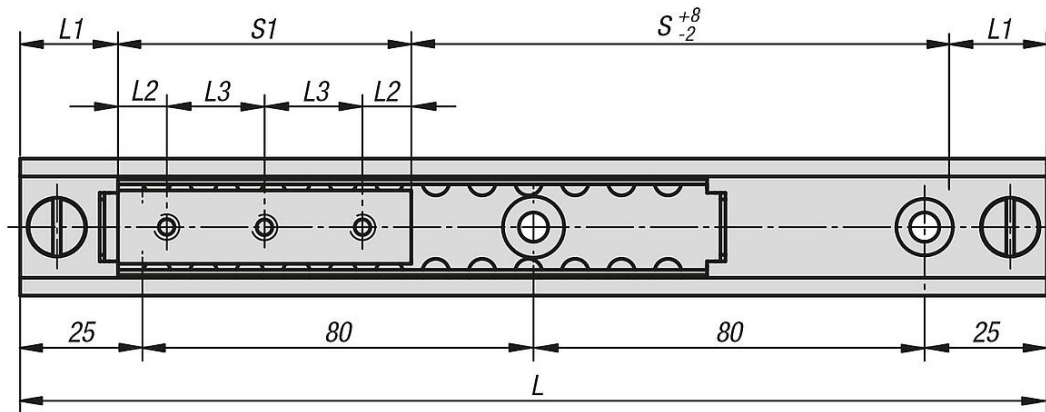
Use grade 10.9 DIN EN ISO 10642 countersunk head screws to install the rail.

The maximum traversing speed is 0.8 m/s.

Application temperature -30 °C to +170 °C.

Linear ball bearing with internal race, steel, load capacity up to 3,959 kg

Drawings



Overview of items

Linear ball bearings with internal race, steel, load capacity up to 3,959 kg

Order No.	Size	B	B1	Travel S	D for screw	D1	H	H1	H2	L	L1	L2	L3	R	S1=Slide	COY N	COZ N	Mx Nm	My Nm	Mz Nm	No. of holes
K2022.280600130	28	28	15	30	M5	M5	13	12,25	7,5	130	20	10	20	1	60	3480	2436	17,1	24	35	3
K2022.280600210	28	28	15	110	M5	M5	13	12,25	7,5	210	20	10	20	1	60	3480	2436	17,1	24	35	3
K2022.280600290	28	28	15	190	M5	M5	13	12,25	7,5	290	20	10	20	1	60	3480	2436	17,1	24	35	3
K2022.280600370	28	28	15	270	M5	M5	13	12,25	7,5	370	20	10	20	1	60	3480	2436	17,1	24	35	3
K2022.280800290	28	28	15	170	M5	M5	13	12,25	7,5	290	20	10	20	1	80	4640	3248	22,7	43	62	4
K2022.280800370	28	28	15	250	M5	M5	13	12,25	7,5	370	20	10	20	1	80	4640	3248	22,7	43	62	4
K2022.280800450	28	28	15	330	M5	M5	13	12,25	7,5	450	20	10	20	1	80	4640	3248	22,7	43	62	4
K2022.280800610	28	28	15	490	M5	M5	13	12,25	7,5	610	20	10	20	1	80	4640	3248	22,7	43	62	4
K2022.281300290	28	28	15	120	M5	M5	13	12,25	7,5	290	20	25	80	1	130	7540	5278	36,9	114	163	2
K2022.281300370	28	28	15	200	M5	M5	13	12,25	7,5	370	20	25	80	1	130	7540	5278	36,9	114	163	2
K2022.281300450	28	28	15	280	M5	M5	13	12,25	7,5	450	20	25	80	1	130	7540	5278	36,9	114	163	2
K2022.281300610	28	28	15	440	M5	M5	13	12,25	7,5	610	20	25	80	1	130	7540	5278	36,9	114	163	2
K2022.281300690	28	28	15	520	M5	M5	13	12,25	7,5	690	20	25	80	1	130	7540	5278	36,9	114	163	2
K2022.282100450	28	28	15	200	M5	M5	13	12,25	7,5	450	20	25	80	1	210	12180	8526	59,7	298	426	3
K2022.282100610	28	28	15	360	M5	M5	13	12,25	7,5	610	20	25	80	1	210	12180	8526	59,7	298	426	3
K2022.282101010	28	28	15	760	M5	M5	13	12,25	7,5	1010	20	25	80	1	210	12180	8526	59,7	298	426	3
K2022.351300290	35	35	15,8	110	M6	M6	17	16	10	290	25	25	80	2	130	9750	6825	47,2	148	211	2
K2022.351300450	35	35	15,8	270	M6	M6	17	16	10	450	25	25	80	2	130	9750	6825	47,2	148	211	2
K2022.351300770	35	35	15,8	590	M6	M6	17	16	10	770	25	25	80	2	130	9750	6825	47,2	148	211	2

Linear ball bearing with internal race, steel, load capacity up to 3,959 kg

Overview of items

Order No.	Size	B	B1	Travel S	D for screw	D1	H	H1	H2	L	L1	L2	L3	R	S1=Slide	COY N	COZ N	Mx Nm	My Nm	Mz Nm	No. of holes
K2022.352100450	35	35	15,8	190	M6	M6	17	16	10	450	25	25	80	2	210	15750	11025	76,3	386	551	3
K2022.352100690	35	35	15,8	430	M6	M6	17	16	10	690	25	25	80	2	210	15750	11025	76,3	386	551	3
K2022.352101010	35	35	15,8	750	M6	M6	17	16	10	1010	25	25	80	2	210	15750	11025	76,3	386	551	3
K2022.352900610	35	35	15,8	270	M6	M6	17	16	10	610	25	25	80	2	290	21750	15225	105,3	736	1051	4
K2022.352900930	35	35	15,8	590	M6	M6	17	16	10	930	25	25	80	2	290	21750	15225	105,3	736	1051	4
K2022.352901330	35	35	15,8	990	M6	M6	17	16	10	1330	25	25	80	2	290	21750	15225	105,3	736	1051	4
K2022.432100450	43	43	23	190	M8	M8	22	21	13,5	450	25	25	80	2,5	210	22470	15729	155,1	551	786	3
K2022.432100690	43	43	23	430	M8	M8	22	21	13,5	690	25	25	80	2,5	210	22470	15729	155,1	551	786	3
K2022.432101010	43	43	23	750	M8	M8	22	21	13,5	1010	25	25	80	2,5	210	22470	15729	155,1	551	786	3
K2022.433700770	43	43	23	350	M8	M8	22	21	13,5	770	25	25	80	2,5	370	39590	27713	273,2	1709	2441	5
K2022.433701010	43	43	23	590	M8	M8	22	21	13,5	1010	25	25	80	2,5	370	39590	27713	273,2	1709	2441	5
K2022.433701490	43	43	23	1070	M8	M8	22	21	13,5	1490	25	25	80	2,5	370	39590	27713	273,2	1709	2441	5